

# PHILIPS

## Water Solutions

Under-the-sink filtration

AUT3268



EN	User manual	01
FR	Manuel d'utilisation	38
RU	Руководство пользователя	76

ES	Manual del usuario	19
IT	Manuale utente	57

# Content

---

<b>I. Product introduction</b>	<b>1</b>
--------------------------------	----------

---

<b>II. Product specification</b>	<b>1</b>
----------------------------------	----------

---

<b>III. Product overview and installation illustration</b>	<b>2</b>
--	----------

---

<b>IV. Installation</b>	<b>3</b>
Install the three-way ball valve	4
Install the faucet	6
Install system manifold	6
Connect the water inlet and the three-way ball valve	7
Connect the water outlet and the faucet	8
Connect the drain water outlet and the drain connector	8
Connect the water tank with the system	9
Check if the system is installed properly, and turn on the three-way ball valve	9

---

<b>V. Using the system</b>	<b>11</b>
Before the first-time use	11

---

---

<b>VI. Maintenance</b>	<b>11</b>
Routine maintenance	11
Filter lifetime	12
Filter cartridge replacement	12

---

<b>VII. Precautions</b>	<b>13</b>
Warning	13

---

<b>VIII. Troubleshooting</b>	<b>15</b>
------------------------------	-----------

---

<b>IX. Guarantee &amp; Service</b>	<b>16</b>
------------------------------------	-----------

---

<b>X. Packing list</b>	<b>17</b>
------------------------	-----------

---



For more languages,  
scan QR code

# I. Product introduction

Congratulations on your purchase and welcome to Philips! The reverse osmosis membrane has a deep filtration level down to 0.0001 micron, which effectively removes viruses, bacteria, heavy metals, pesticides, water hardness, volatile organic compounds, chlorine, and more, giving you great tasting water.\* QuickTwist filter design allows you to replace the filter cartridges effortlessly.

Read this user manual carefully before you use the appliance. Save it for future reference.

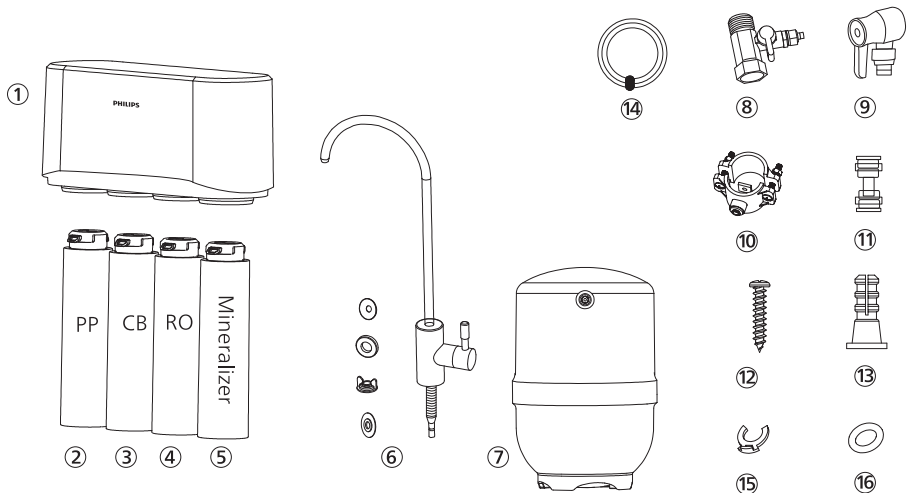
\* The substances removed or reduced by this system are not necessarily in all users' water.

# II. Product specification

Product name	Philips reverse osmosis under-the-sink water filtration system
Product model	AUT3268
Filtered water flow rate	0.19L/min
Filtration capacity	PP filter/CB filter/Mineralizer: 6-12 months RO filter: 24-36 months
Inlet water pressure	0.3-0.7 MPa**
Water tank capacity	11L
Inlet water temperature	5°C-38°C
Maximum inlet water TDS	1500 ppm***
Maximum inlet water hardness	15 °HF***
Applicable water source	Municipal tap water, which meets all European Directive on Water for Human Consumption 98/83 requirements and its national transpositions in the various EU member states.

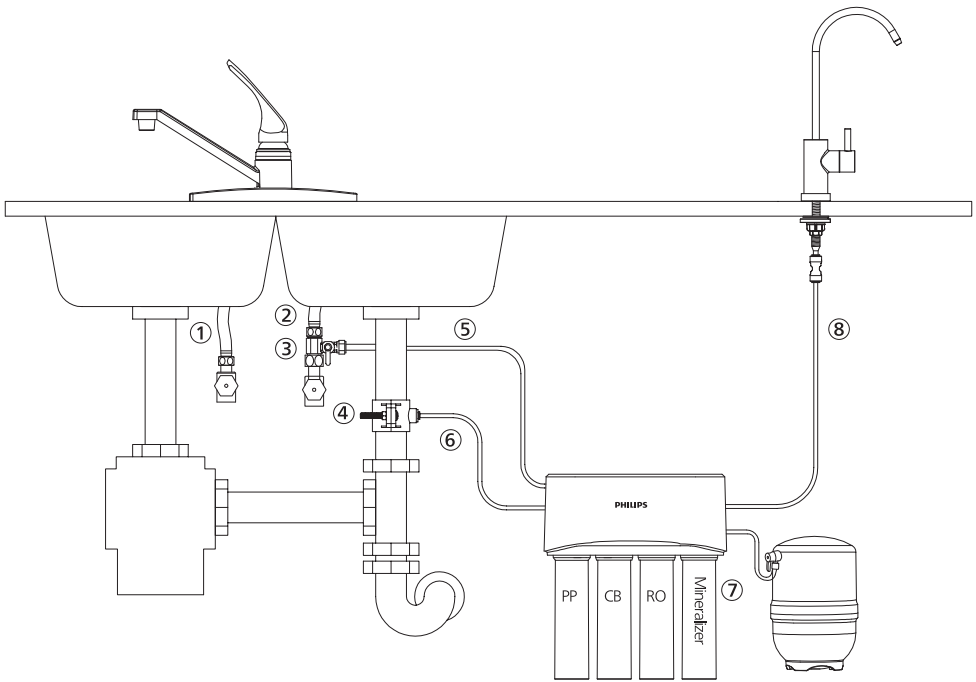
- \*\* When the inlet water pressure exceeds 0.7 MPa, a pressure relief valve should be installed before the system. When the inlet water pressure is below 0.3 MPa, a pressure booster should be installed before the system. The pressure relief valve and extra pressure booster need to be purchased separately.
- \*\*\* If the TDS of inlet water exceeds 1500 ppm, or the hardness exceeds 15 °HF, the lifetime of the filters may be impacted. Please consult with your dealer about installing prefilters before the system.

### III. Product overview and installation illustration



- ① System manifold
- ② PP filter
- ③ CB filter
- ④ RO filter
- ⑤ Mineralizer
- ⑥ Faucet and accessory
- ⑦ Water tank
- ⑧ Three-way ball valve

- ⑨ Tank connector
- ⑩ Drain connector
- ⑪ 1/4" quick connect fitting
- ⑫ Screws
- ⑬ Expansion screw
- ⑭ 1/4" PE line
- ⑮ 1/4" line clip
- ⑯ O-Ring



- |                        |                                |
|------------------------|--------------------------------|
| ① Hot                  | ⑤ Cold water inlet to manifold |
| ② Cold                 | ⑥ Drain outlet to manifold     |
| ③ Three-way ball valve | ⑦ Water tank to manifold       |
| ④ Drain connector      | ⑧ Faucet to manifold           |

## IV. Installation

### Note:

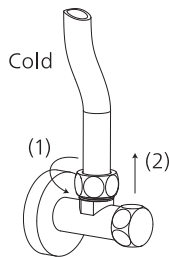
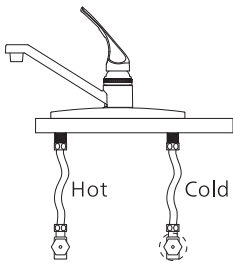
- Before installation, it is important to check the condition of the system to make sure it has not been damaged during transport.
- Unpack the system and its accessories. Remove the protective packaging material. Recyclable materials have been used for the packaging and should be disposed of in the appropriate recycling bins or at the specific local recycling center.
- Warning: Keep plastic bags out of the reach of children, as they may be dangerous.**
- Check if anything is missing according to the packing list and the overview.
- Given that the system will improve the quality of your drinking water, all tools to be used in the installation process should be clean, rust and grease-free.

- The installation process should be carried out under appropriate hygienic conditions, taking all necessary precautions concerning materials and components that will come into contact with water to be treated or consumed.
- Avoid external contamination of the system through improper handling, using gloves, sanitizing gel, and washing hands as often as is necessary during the installation process, first use, and system maintenance.
- The system and installation shall comply with applicable local regulations.
- This product cannot be disposed of with other domestic waste products. At the end of the product's service life, it should be returned to the place of purchase, or at a local recycling center, indicating that it contains electric and electronic components. The appropriate collection and treatment of the product, which no longer are to be used, contributes to the preservation of natural resources and avoids any potential public health risks.

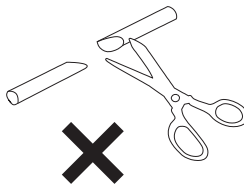
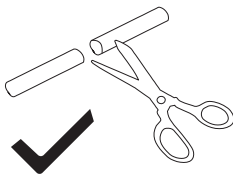


## 1. Install the three-way ball valve

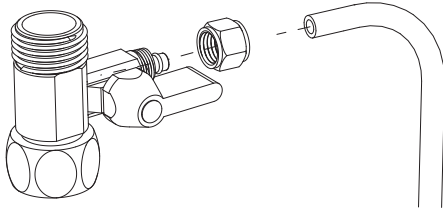
- a. Turn off the cold water supply. Turn on the kitchen cold water faucet to release the pressure and allow water to drain from the line. Disconnect the cold water hose from the cold water valve.



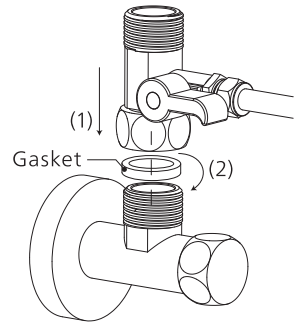
- b. Measure the length of the 1/4" pipe and cut it accordingly with a pipe cutter.



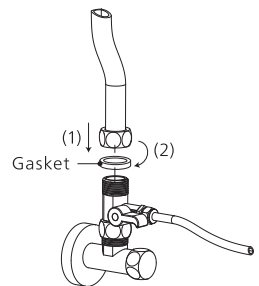
Slide the nut of the three-way ball valve onto the 1/4" PE pipe and insert the pipe into the opening of the three-way ball valve. Tighten the nut with a wrench.



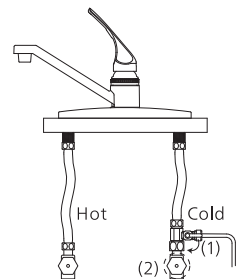
c. Install the three-way ball valve on the cold water valve.  
Please don't miss the gasket inside the three-way ball valve during installation.



d. Connect the cold water hose with the three-way ball valve and screw it tightly with a wrench. Please don't miss the gasket in the cold water hose during installation.



e. Switch off the three-way ball valve.  
Turn on the cold water supply. Wipe the connections with a tissue to see if there is leakage. If the tissue stays dry, it means the three-way ball valve is installed properly.



## 2. Install the faucet

### Note:

Select an appropriate installation position. The environment where the faucet is installed should adhere to any appropriate hygiene and sanitation conditions.

Make sure the faucet sits flat on top of the sink or countertop surface.

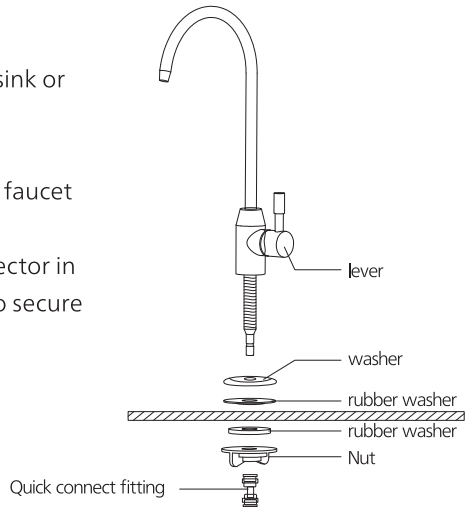
- a. Drill a hole with a diameter of about 20 mm.

Skip this step if there is already a hole in the sink or the countertop surface.

- b. Install the faucet according to the diagram.

Screw the faucet stem nut all the way up the faucet stem, and tighten it to secure the faucet.

- c. Connect the faucet cable to the faucet connector in the back of the system and tighten the nut to secure the cable.



## 3. Install system manifold

### Note:

Please check if there is sufficient space for installing the system itself, its accessories, connections, and for servicing and repair. Under no circumstances should the system be installed outdoors. The environment where the system is installed should adhere to any appropriate hygiene and sanitation conditions. Avoid any external dripping liquids from pipes or drains etc. onto the system.

This system should be placed on a stable and flat surface. Keep the system away from heat. It shall not be placed in a place that may have inflammable gas leakage.

### Wall mounting (optional step)

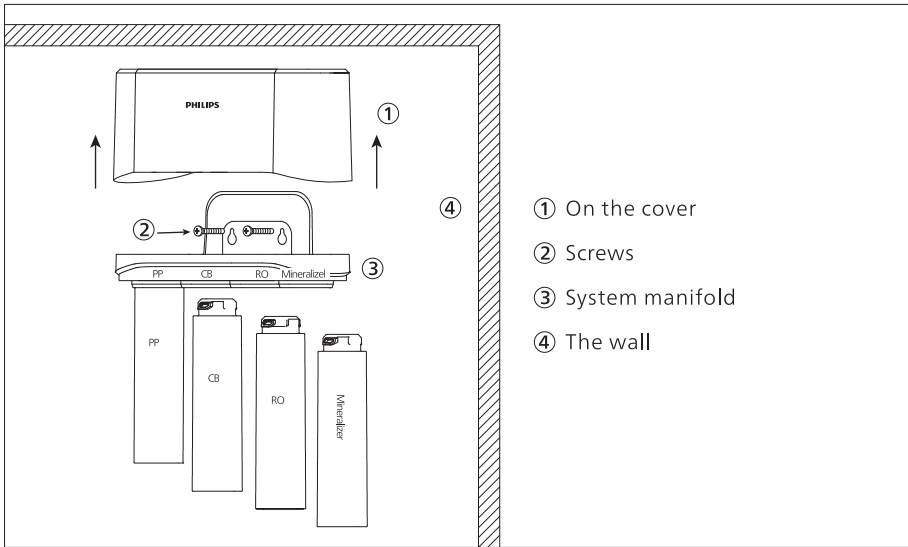
- a. Select an easily accessible area under the sink to mount the system manifold.

- b. Take off the cover, mark wall placement for mounting screws using the built-in bracket on the back of the manifold. Ensure holes are as level as possible. (Note: At least 40cm from holes to the floor to allow ample space for filter replacement)



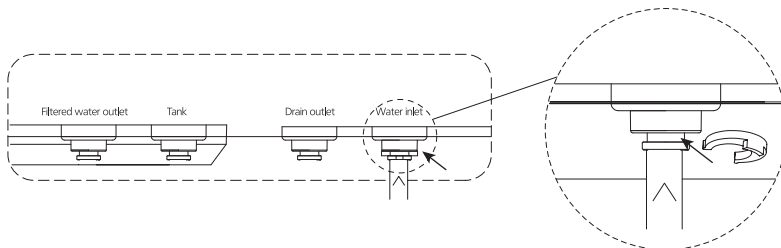
- c. Drill 2 pilot holes for mounting brackets using 1/4" drill bit for the system manifold.
 

Note: Do not drill into anything beyond the cabinet wall.
- d. Insert expansion screws and mounting screws into the wall leaving approximately 3/8" of each screw exposed.
- e. Mount the manifold on the wall to ensure it fits properly. Then take down the manifold.
- f. Remove the packaging of the filter cartridges, insert them into the manifold according to the order, and turn them clockwise to lock them in place.



#### 4. Connect the water inlet and the three-way ball valve

Insert the other end of the 1/4" pipe which has been connected with the three-way ball valve into the water inlet hole in the back of the system. Use a clip to secure the pipe at the hole.

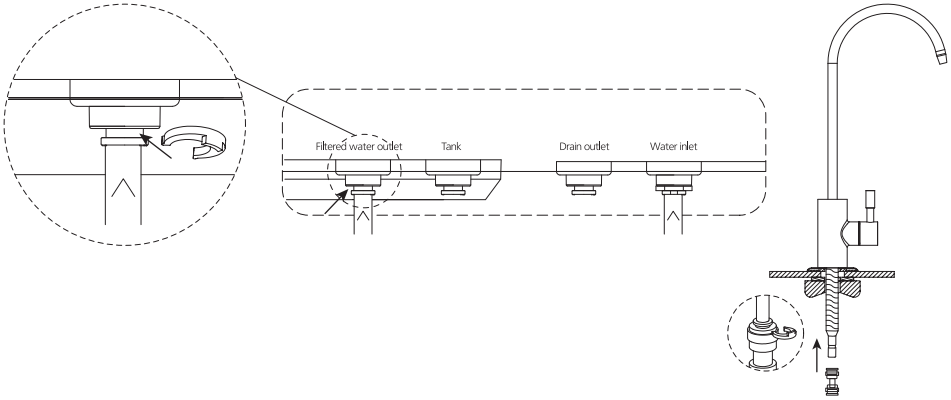


Note: The inlet water pressure should be within 0.3-0.7 MPa. If the pressure is too low, a pressure booster should be installed prior to the system. If the pressure is too high, a pressure relief valve should be installed prior to the system.

## 5. Connect the water outlet and the faucet

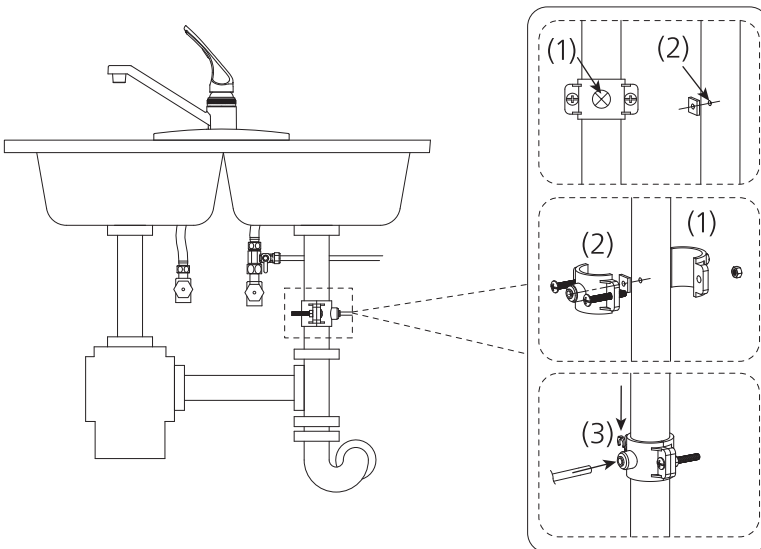
After you measure the length of the 1/4" pipe you need to connect the system and the faucet, cut the 1/4" pipe with a pipe cutter. Insert one end of the pipe into a quick connect fitting, and connect the quick-connect fitting on the stem of the faucet.

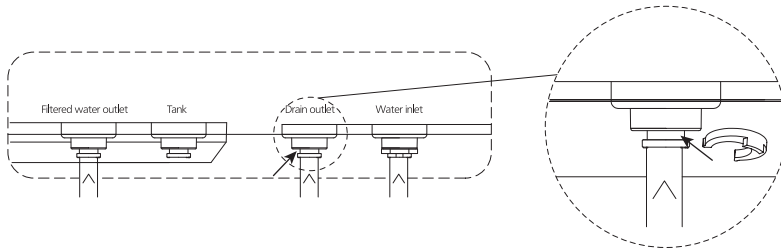
Insert the other end of the 1/4" pipe into the filtered water outlet hole in the back of the system until it stops. Use a clip to secure the pipe at the hole.



## 6. Connect the drain water outlet and the drain connector

Identify the drain outlet location. Drill a 6.5mm hole on the drain pipe. Install the drain connector according to the diagram. Securely tighten the nuts. Cut a section of 1/4" pipe. Insert one end of the pipe into the drain outlet hole in the back of the system until it stops. Use a clip to secure the pipe at the hole. Insert the other end of the pipe into the drain connector.



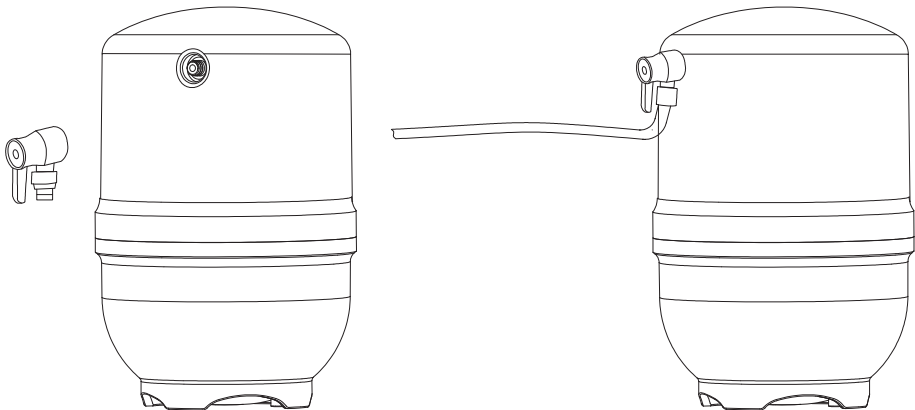


Note: The inlet water pressure should be within 0.3-0.7 MPa. If the pressure is too low, a pressure booster should be installed prior to the system. If the pressure is too high, a pressure relief valve should be installed prior to the system.

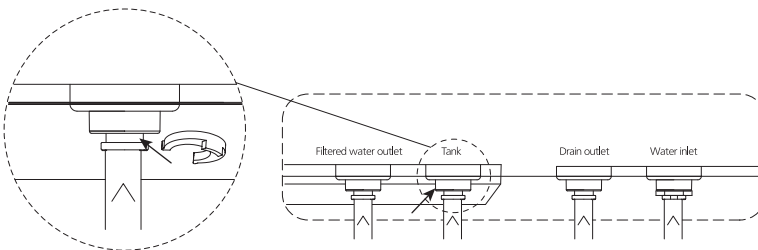
### 7. Connect the water tank with the system

Install the water tank ball valve on the water tank by turning it clockwise.

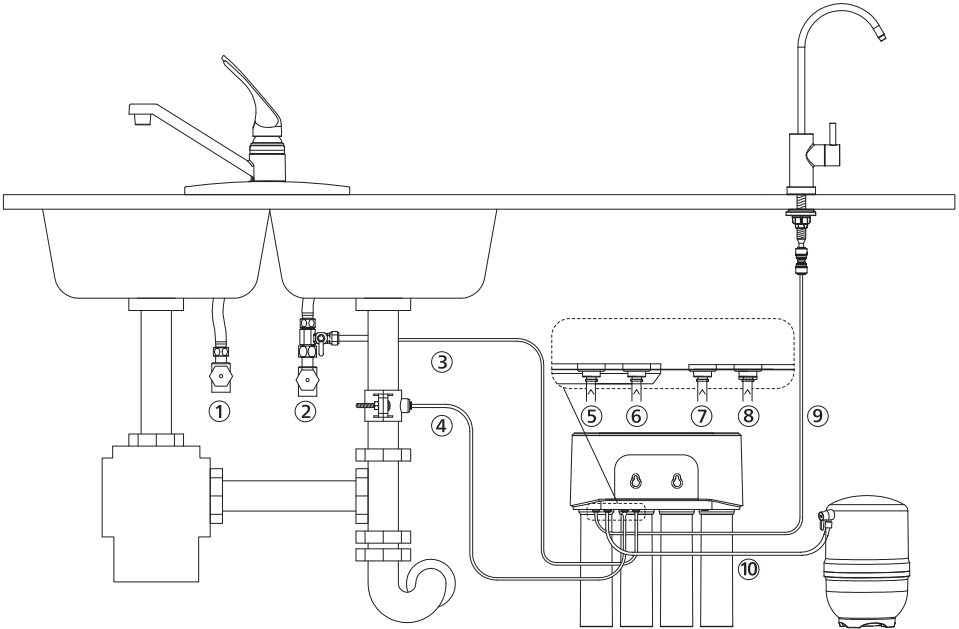
Cut a section of 1/4" pipe. Insert one end of the pipe into the water tank ball valve, and insert the other end of the pipe in the water tank connector in the back of the system until it stops.



### 8. Check if the system is installed properly, and turn on the three-way ball valve



Place the manifold and water tank in a proper area as follow.  
Then install the cover onto the manifold.



- ① Hot
- ② Cold
- ③ Water inlet pipe
- ④ Drain outlet pipe
- ⑤ Filtered water outlet
- ⑥ Tank
- ⑦ Drain outlet
- ⑧ Water inlet
- ⑨ Faucet
- ⑩ Water tank connector

## V. Using the system

### 1. Before the first-time use

- a. Turn off the water tank ball valve and turn on the faucet.
- b. Check if there is leakage on all the connections.
- c. Follow the instructions to flush thoroughly.

Flush the filters:

- Turn off the water tank ball valve. Turn on the faucet to let water flow through the system for 30 mins.

Flush the water tank

- Turn off the faucet. Turn on the water tank ball valve and let it be filled with water. This will take 1-2 hours depending on the inlet water pressure. Once the water tank is full, the system will stop filtering water.
- Turn on the faucet and empty the water tank to flush the water. Once it's empty, turn off the faucet, and the water tank will be filled again.
- Repeat the steps above 2 times.

Now the system is ready to use.

Note:

The flow rate will be less than your kitchen faucet. Water will run to the drain while the RO filter system is filtering water – even when not in use. This is normal.

Water going to drain will stop automatically when the water tank is at capacity.

## VI. Maintenance

### 1. Routine maintenance

- Organic solvent such as gasoline etc. shall not be used for wiping the housing of the device. If cleaning is required, please gently wipe the surface of the product with a wet cloth.
- If the system is not used for more than 2 days, turn on the faucet for more than 5 minutes to flush the system.
- If the system will not be used for an extended period, take out the filter cartridges, seal them with plastic wraps, and store them in the refrigerator (not in the freezer). Turn off the three-way ball valve, turn on the faucet to empty the water tank, and turn off the water tank ball valve. Before using it again, repeat step c and step e in chapter V.

## 2. Filter lifetime

### Note

For the best performance, please change your filter cartridge according to the filter replacement cycle suggested below. When a significantly lower flow rate is observed, we recommend changing the filters as well.

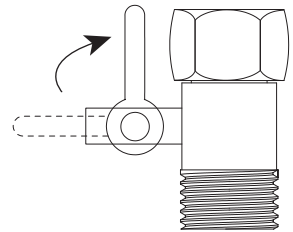
**This system can only work with Philips filters.**

Filter	Filter lifetime
PP Filter	6-12 months*
CB Filter	6-12 months*
RO filter	24-36 months*
Mineralizer Filter	6-12 months*

\* The actual lifetime of the filter cartridge depends on the local tap water quality and daily usage. The recommended replacement cycle is an average based on different local tap water quality. If the local tap water quality is below the average, the actual lifetime of the cartridge would differ from the recommended replacement cycle. If the filter cartridge is blocked, please replace it.

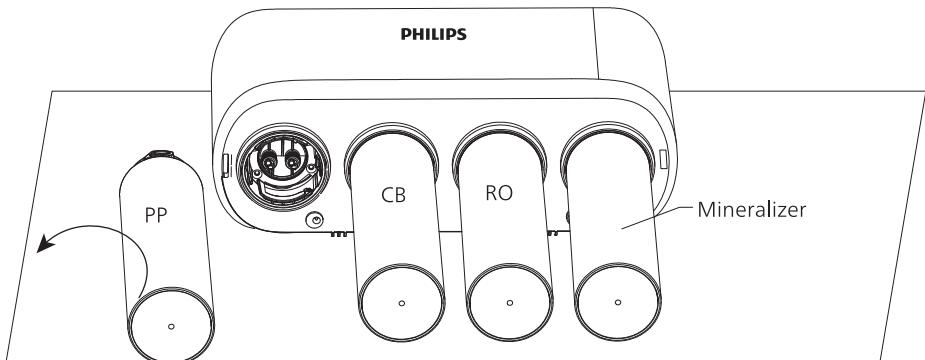
## 3. Filter cartridge replacement

a. Turn off the three-way ball valve and the water tank ball valve.

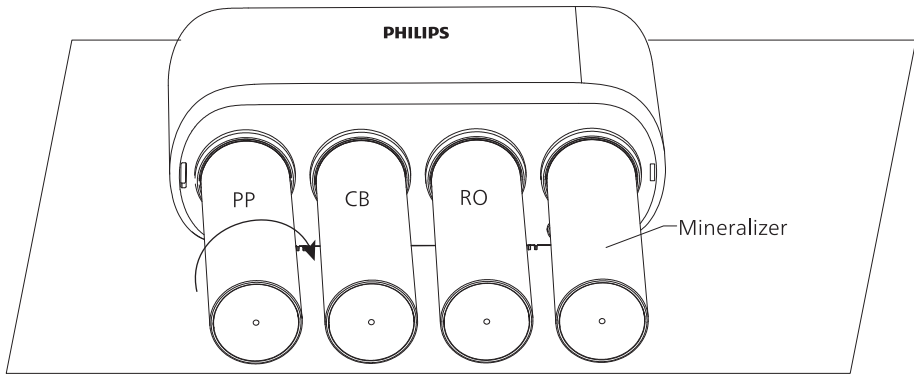


b. Turn on the faucet to release the pressure.

c. Turn the filter that needs to be replaced anticlockwise and pull it out.



- d. Remove the packaging of the new filter, insert the cartridge in the system, and then turn it clockwise tightly.



- e. Turn on the three-way ball valve and the faucet. Allow water to flow for 1,5 hours to flush the new filters.
- f. Turn off the faucet and turn on the water tank ball valve to fill the water tank. After that, the system is ready to use.

## VII. Precautions

### 1. Warning

- This is NOT a water purifier. Always use municipal tap water as the water source. Do not use water that is microbiologically unsafe or of unknown quality without adequate disinfection before or after the system.
- This system is not intended for use by persons (including children) with reduced physical sensory or mental capabilities, or lack of experience and knowledge unless they have been given supervision or instruction concerning the use of the appliance by a person responsible for their safety. Children should be supervised to ensure that they do not play with the system.
- Be sure to handle the system gently and carefully. Do not attempt to modify or repair the system yourself, otherwise, the warranty becomes invalid.
- This device is intended for domestic use only.

- The inlet water temperature of the system should be within 5-38°C. When the inlet water temperature exceeds 38°C, the filter could be damaged and become invalid.  
If the inlet water temperature is lower than 5°C, it may cause freezing and the parts of the system to rupture, resulting in water leakage.
- Do not reverse the installation order of the filter cartridges to avoid affecting the filter performance of the system.
- If the system is abnormal or faulty, stop using it immediately. Close the inlet water valve, and turn on the faucet to empty the system. Events of faults include:
  - Leakage
  - The product is cracked or damaged
  - There is an abnormal sound
  - The machine does not workPlease contact consumer care for inspection immediately.
- If not using the system for an extended period, turn off the water supply, and turn on the faucet to release the internal pressure to avoid damage to the system.



## VIII. Troubleshooting

Problem	Possible cause	Solution
There is leakage.	The components are damaged.	Turn off the three-way wall valve, and contact consumer care.
	The pipes or filters are not connected properly.	Check whether the filters are not installed in place or pipes are not screwed tightly.
No water comes out from the faucet.	The cold water valve or three-way ball valve is not turned on.	Turn on the valve to test again.
The flow rate gets slower.	The pipes are twisted or bend seriously.	Check all the water pipes, including inlet water pipe, drain water pipe, pure water pipe and water tank pipe to make sure water can go through the pipes smoothly.
	The three-way ball valve is not turned on completely.	Make sure the three-way ball valve is turned on completely.
	Filter is clogged.	Replace a new filter or contact the consumer care.
	Inlet water pressure is low.	Wait until the inlet water pressure gets stable, or install a pressure boost before the system if the inlet water pressure is constantly lower than 0.3MPa.
No water runs to the drain	The drain water pipe is twisted or the RO filter is damaged.	Change the drain water pipe or RO filter. Contact consumer care if necessary.
Poor outlet water quality.	Filter has reached the end of life.	Replace the filter.
	The system hasn't been used for some time.	Check routine maintenance in chapter VI.

<p>Poor outlet water quality.</p>	<p>The inlet water quality is poor.</p>	<p>Always use municipal tap water as the water source. Do not use water that is microbiologically unsafe or of unknown quality without adequate disinfection before or after the system. Install a prefilter before the system if the inlet water quality is constantly poor.</p>
-----------------------------------	---	---

## IX. Guarantee & Service

If you need information or if you have any problems, please visit [www.philips.com](http://www.philips.com) or contact the consumer care center in your country. If there is no consumer care center in your country, go to a local dealer. Within two years from the date of purchase, you will receive free warranty service for any damage caused by the manufacturing process, or components under normal operation confirmed by our maintenance service. The warranty service does not include frequently replaced consumable components, auxiliary devices, transportation fees, and door-to-door service. Please show the proof of purchase to the service personnel during maintenance.

## X. Packing list

System manifold	1X
PP Filter	1X
CB filter	1X
CB filter	1X
Mineralizer	1X
Water tank	1X
Water tank ball valve	1X
Three-way ball valve	1X
1/4" PE pipe	1X
Screw	2X
Expansion screw	2X
Faucet and accessory	1X
User manual	1X
Clip	7X
Drain connector	1X
Quick connect fitting	1X
1/4" Ring (Spare part)	2X

Please keep this user manual for future reference.  
The information of this user manual is subject to change without prior notice to the users.

# Contenido

---

I. Introducción del producto	19
------------------------------	----

---

II. Especificaciones del producto	19
-----------------------------------	----

---

III. Descripción general del producto e ilustración de instalación	20
--	----

---

IV. Instalación	21
Instale la válvula de bola de tres vías	22
Instale el grifo	24
Instalar el cabezal del sistema	24
Conecte la entrada de agua y la válvula de bola de tres vías	25
Conecte la salida de agua y el grifo	26
Conecte la salida de agua de drenaje y el conector de drenaje	27
Conecte el depósito de agua al sistema	28
Verifique si el sistema está instalado correctamente y active la válvula de bola de tres vías	28

---

V. Uso del sistema	30
Antes del primer uso	30

---

---

VI. Mantenimiento	30
Mantenimiento de rutina	30
Duración de los filtros	31
Sustitución del cartucho de filtro	31

---

VII. Precauciones	32
Advertencia	32

---

VIII. Resolución de problemas	34
-------------------------------	----

---

IX. Garantía y servicio	35
-------------------------	----

---

X. Lista de embalaje	36
----------------------	----

---



Para otros idiomas,  
escanee el código QR

# I. Introducción del producto

¡Felicitaciones por su compra y bienvenido a Philips! La membrana de ósmosis inversa tiene un nivel de filtración profundo de hasta 0,0001 micras, lo que elimina eficazmente virus, bacterias, metales pesados, pesticidas, dureza del agua, compuestos orgánicos volátiles, cloro y más, dándole agua de gran sabor.\* El diseño del filtro QuickTwist le permite sustituir los cartuchos de filtro sin esfuerzo.

Lea este manual de usuario detenidamente antes de utilizar el aparato.

Guárdelo para referencias futuras.

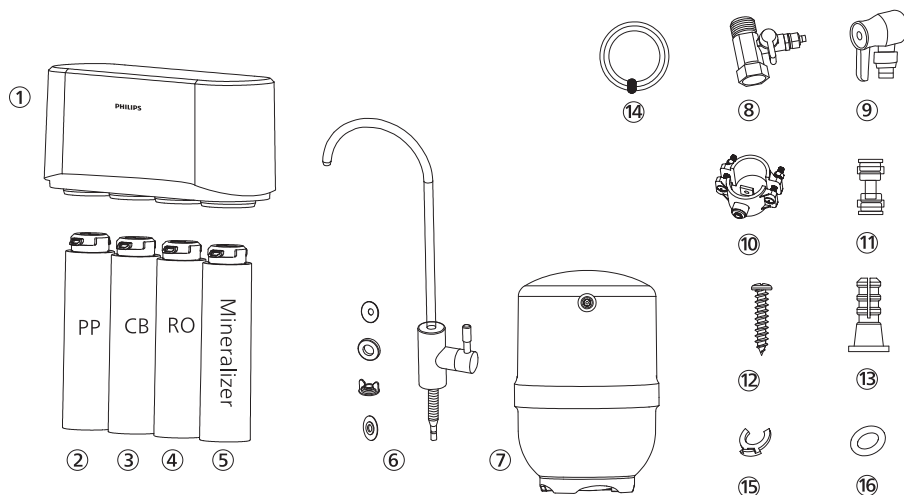
\* Las sustancias eliminadas o reducidas por este sistema no están necesariamente en el agua de todos los usuarios.

# II. Especificaciones del producto

Nombre del producto	Philips sistema de filtración de agua por ósmosis inversa debajo del fregadero
Modelo del Producto	AUT3268
Caudal de agua filtrada	0.19L/min
Capacidad de filtración	Filtro PP/filtro CB/mineralizador: 6-12 meses Filtro de OI: 24-36 meses
Voltaje nominal	0.3-0.7 MPa**
Capacidad del tanque de agua	11L
Temperatura del agua de entrada	5°C-38°C
TDS máximo de agua de entrada	1500 ppm***
Dureza máxima del agua de entrada	15 °HF***
Fuente de agua aplicable	Agua del grifo municipal, que cumple con todos los requisitos de la Directiva europea sobre agua para consumo humano 98/83 y sus transposiciones nacionales en los distintos estados miembros de la UE.

- \*\* Cuando la presión del agua de entrada supera los 0,7 MPa, se debe instalar una válvula de alivio de presión antes del sistema. Cuando la presión del agua de entrada es inferior a 0,3 MPa, se debe instalar un amplificador de presión antes del sistema. La válvula de alivio de presión y el amplificador de presión adicionales deben comprarse por separado.
- \*\*\* Si los sólidos totales disueltos del agua de entrada exceden 1500 ppm o la dureza excede 15 °HF, la vida útil de los filtros puede verse afectada. Consulte a su distribuidor sobre la instalación de prefiltros antes del sistema.

### III. Descripción general del producto e ilustración de instalación



① Cabezal del sistema

② Filtro de PP

③ Filtro de CB

④ Filtro de RO

⑤ Mineralizador

⑥ Grifo y accesorio

⑦ Depósito de agua

⑧ Válvula de bola de tres vías

⑨ Conector del depósito

⑩ Conector de drenaje

⑪ Racor de conexión rápida de 1/4"

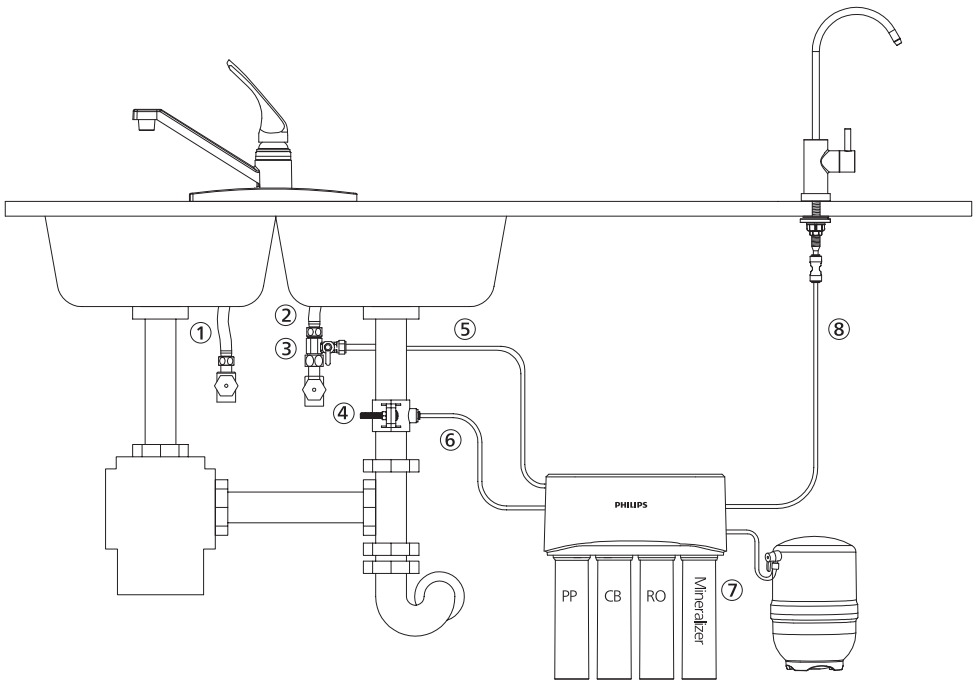
⑫ Tornillos

⑬ Tornillo de expansión

⑭ Tubería de PE de 1/4"

⑮ Pinza de tubería de 1/4"

⑯ Junta tórica



- |                                |                                    |
|--------------------------------|------------------------------------|
| ① Agua Caliente                | ⑤ Entrada de agua fría al cabezal  |
| ② Agua Fría                    | ⑥ Salida de drenaje al desagüe     |
| ③ Válvula de bola de tres vías | ⑦ Deposito de agua al equipo       |
| ④ Conector de drenaje          | ⑧ Salida agua del sistema al grifo |

## IV. Instalación

### Nota:

- Antes de la instalación, es importante verificar el estado del sistema para asegurarse de que no se haya dañado durante el transporte.
  - Desembale el sistema y sus accesorios. Retire el material de embalaje protector. Se han utilizado materiales reciclables para el embalaje y deben eliminarse en los contenedores de reciclaje apropiados o en el centro de reciclaje local específico.
- Advertencia: Mantenga las bolsas de plástico fuera del alcance de los niños, ya que pueden ser peligrosas.**
- Compruebe si falta algo de acuerdo con la lista de empaque y la descripción general.

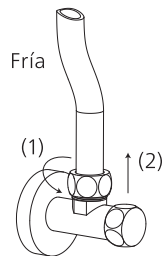
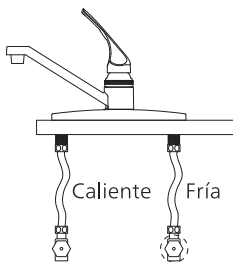
- Dado que el sistema mejorará la calidad de su agua potable, todas las herramientas que se utilizarán en el proceso de instalación deben estar limpias, libres de óxido y grasa.
- El proceso de instalación debe realizarse en condiciones higiénicas adecuadas, tomando todas las precauciones necesarias en cuanto a materiales y componentes que entrarán en contacto con el agua a tratar o consumir.
- Evite la contaminación externa del sistema mediante un manejo inadecuado, el uso de guantes, gel desinfectante y el lavado de manos con la frecuencia necesaria durante el proceso de instalación, primer uso y mantenimiento del sistema.
- El sistema y la instalación deben cumplir con las normativas locales aplicables.
- Este producto no se puede eliminar con otros residuos domésticos.

Al final de la vida útil del producto, debe devolverse al lugar de compra o al centro de reciclaje local, indicando que contiene componentes eléctricos y electrónicos. La recogida y el tratamiento adecuados del producto, que ya no se utilizará, contribuye a la conservación de los recursos naturales y evita los posibles riesgos para la salud pública.

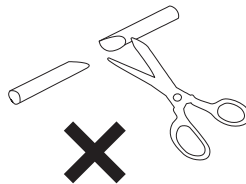
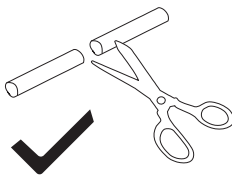


## 1. Instale la válvula de bola de tres vías

- a. Corte el suministro de agua fría. Abra el grifo de agua fría de la cocina para liberar la presión y permitir que el agua se drene de la tubería. Desconecte la manguera de agua fría de la válvula de agua fría.

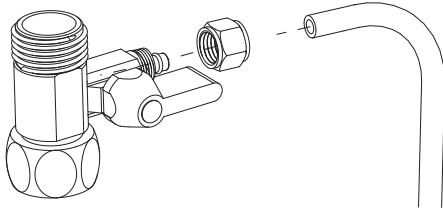


- b. Mida la longitud de la tubería de 1/4" y córtelo en consecuencia con un cortador de tubos.

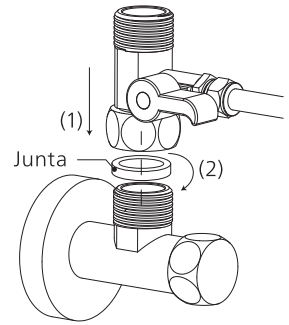




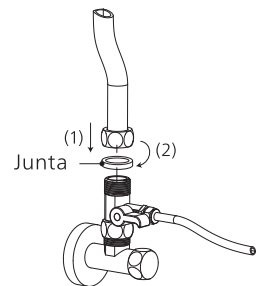
Deslice la tuerca de la válvula de bola de tres vías en la tubería de PE de 1/4" e inserte la tubería en la abertura de la válvula de bola de tres vías. Apriete la tuerca con una llave.



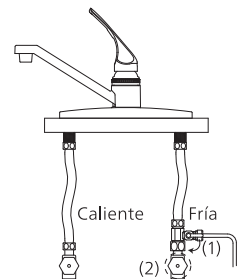
c. Instale la válvula de bola de tres vías en la válvula de agua fría. No se olvide de la junta dentro de la válvula de bola de tres vías durante la instalación.



d. Conecte la manguera de agua fría con la válvula de bola de tres vías y atorníllela firmemente con una llave. No se olvide de la junta de la manguera de agua fría durante la instalación.



e. Cierre la válvula de bola de tres vías.  
Active el suministro de agua fría. Limpie las conexiones con un pañuelo de papel para ver si hay fugas. Si el pañuelo permanece seco, significa que la válvula de bola de tres vías está instalada correctamente.



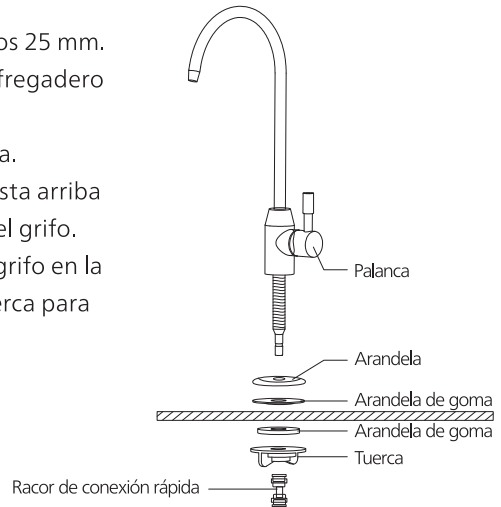
## 2. Instale el grifo

### Nota:

Seleccione una posición de instalación adecuada. El entorno donde se instale el grifo debe cumplir con las condiciones adecuadas de higiene y saneamiento.

Asegúrese de que el grifo quede plano sobre el fregadero o la superficie de la encimera.

- a. Taladre un orificio con un diámetro de unos 25 mm.  
Omita este paso si ya hay un orificio en el fregadero o en la superficie de la encimera.
- b. Instale el grifo de acuerdo con el diagrama.  
Atornille la tuerca del vástago del grifo hasta arriba del vástago del grifo y apriétela para fijar el grifo.
- c. Conecte el cable del grifo al conector del grifo en la parte posterior del sistema y apriete la tuerca para fijar el cable.



## 3. Instalar el cabezal del sistema

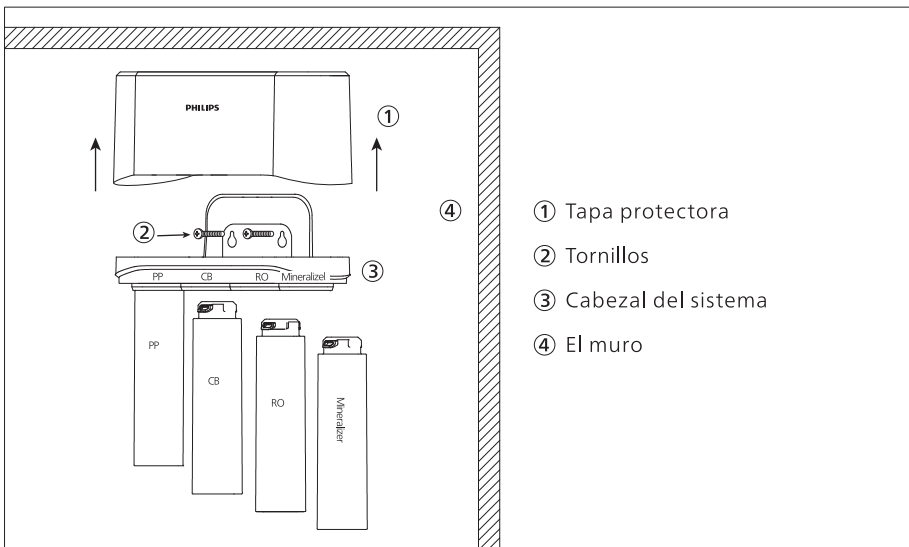
### Nota:

Compruebe si hay suficiente espacio para instalar el sistema en sí, sus accesorios, las conexiones y para el mantenimiento y la reparación. Bajo ninguna circunstancia se debe instalar el sistema al aire libre. El entorno donde se instala el sistema debe cumplir con las condiciones de higiene y saneamiento adecuadas. Evite cualquier goteo externo de líquidos de tuberías o desagües, etc. en el sistema. Este sistema debe colocarse sobre una superficie estable y plana. Mantenga el sistema alejado del calor. No debe colocarse en un lugar que pueda tener fugas de gas inflamable.

### Montaje en pared (paso opcional)

- a. Seleccione un área fácilmente accesible debajo del fregadero para montar el cabezal del sistema.

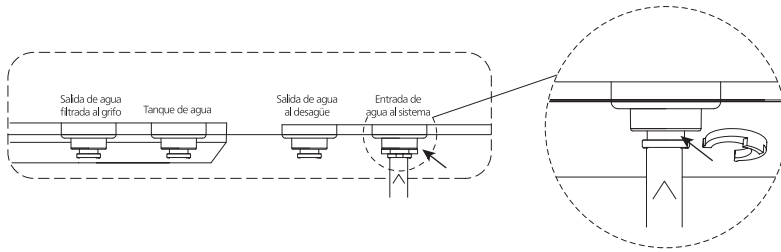
- b. Quite la cubierta y marque la ubicación de la pared para los tornillos de montaje con el soporte incorporado en la parte posterior del colector. Asegúrese de que los orificios están lo más nivelados posible. (Nota: Permita un espacio de al menos 40 cm desde los orificios hasta el suelo para dejar espacio suficiente para la sustitución del filtro)
  - c. Perfore 2 orificios guía para los soportes de montaje con una broca de 1/4" para el colector del sistema.
- Nota: No perfore nada más allá de la pared del armario.
- d. Inserte los tornillos de expansión y los tornillos de montaje en la pared dejando aproximadamente 3/8" de cada tornillo expuesto.
  - e. Monte el cabezal del sistema en la pared para asegurarse de que encaja correctamente. A continuación, baje el cabezal del sistema.
  - f. Retire el embalaje de los cartuchos de filtro, insértelos en el cabezal del sistema según el orden y gírelos hacia la derecha para bloquearlos en su sitio.



#### 4. Conecte la entrada de agua y la válvula de bola de tres vías

Inserte el otro extremo de la tubería de 1/4" que se ha conectado con la válvula de bola de tres vías en el orificio de entrada de agua en la parte posterior del sistema.

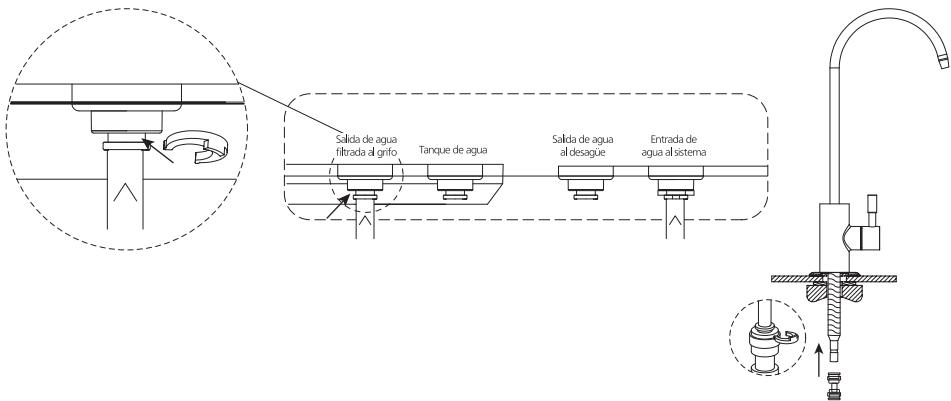
Utilice una abrazadera para fijar la tubería en el orificio.



Nota: La presión del agua de entrada debe estar entre 0,3 y 0,7 MPa. Si la presión es demasiado baja, se debe instalar un reforzador de presión antes del sistema. Si la presión es demasiado alta, se debe instalar una válvula de descarga de presión antes del sistema.

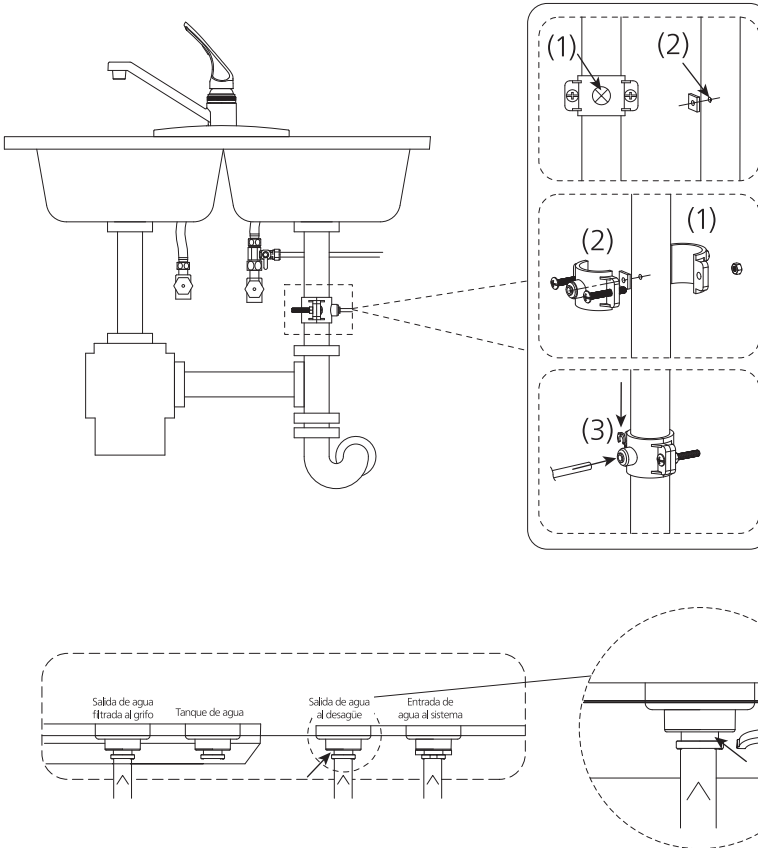
### 5. Conecte la salida de agua y el grifo

Después de medir la longitud de la tubería de 1/4" que necesita para conectar el sistema y el grifo, corte la tubería de 1/4" con un cortador de tubos. Inserte un extremo de la tubería en un racor de conexión rápida y conecte el racor de conexión rápida en el vástago del grifo. Inserte el otro extremo de la tubería de 1/4" en el orificio de salida de agua filtrada en la parte posterior del sistema hasta que se detenga. Utilice una abrazadera para fijar la tubería en el orificio.



## 6. Conecte la salida de agua de drenaje y el conector de drenaje

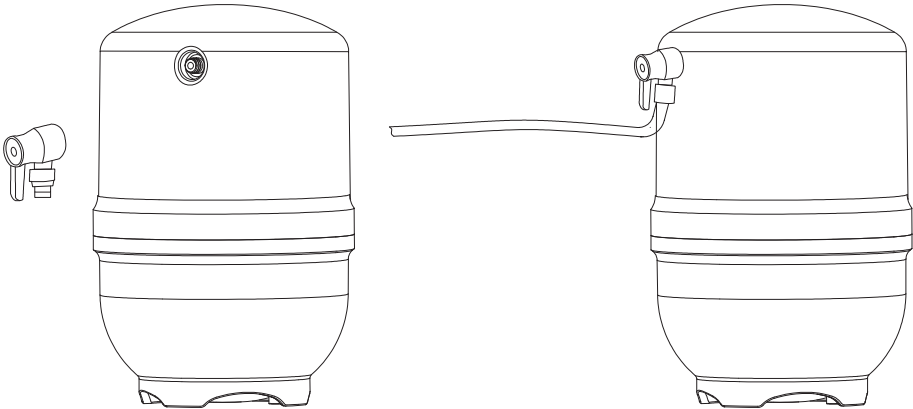
Identifique la ubicación de la salida de drenaje. Perfore un orificio de 6,5 mm en la tubería de drenaje. Instale el conector de drenaje de acuerdo con el diagrama. Apriete firmemente las tuercas. Corte una sección de la tubería de 1/4". Inserte un extremo de la tubería en el orificio de la salida de drenaje en la parte posterior del sistema hasta que se detenga. Utilice una abrazadera para fijar la tubería en el orificio. Inserte el otro extremo de la tubería en el conector de drenaje.



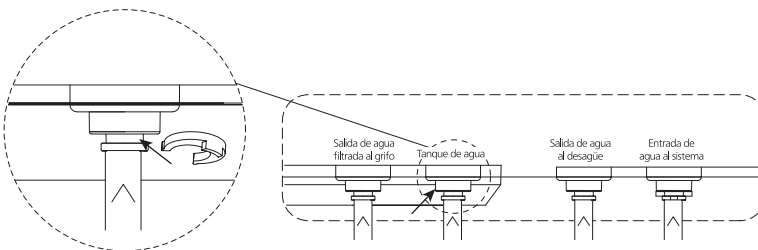
Nota: La presión del agua de entrada debe estar entre 0,3 y 0,7 MPa. Si la presión es demasiado baja, se debe instalar un reforzador de presión antes del sistema. Si la presión es demasiado alta, se debe instalar una válvula de descarga de presión antes del sistema.

## 7. Conecte el depósito de agua al sistema

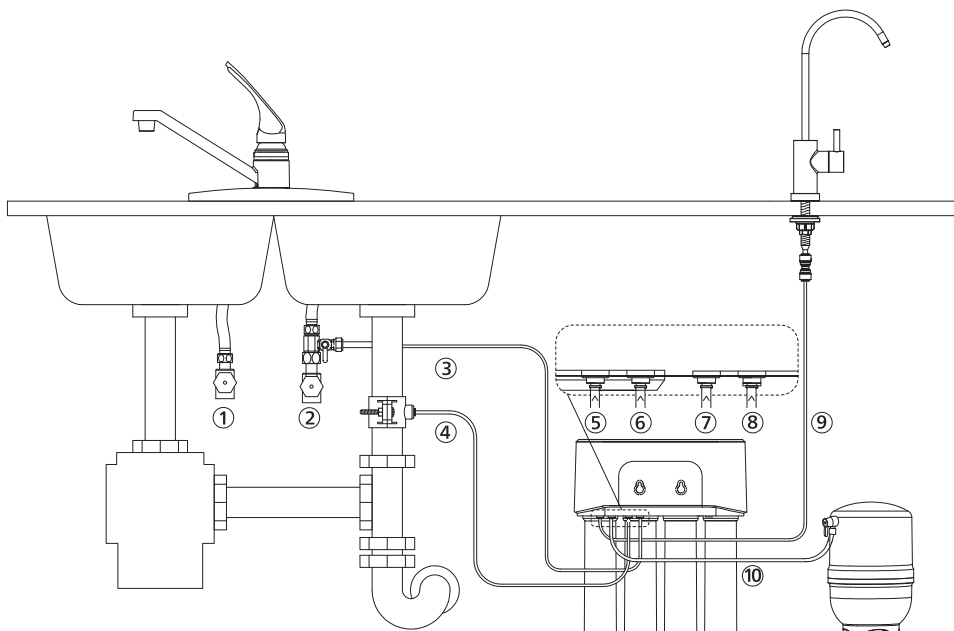
Instale la válvula de bola del depósito de agua en el depósito girándola hacia la derecha. Corte una sección de la tubería de 1/4". Inserte un extremo de la tubería en la válvula de bola del depósito de agua e inserte el otro extremo de la tubería en el conector del depósito de agua en la parte posterior del sistema hasta que se detenga.



## 8. Verifique si el sistema está instalado correctamente y active la válvula de bola de tres vías



Coloque el cabezal y el depósito de agua en un área adecuada como se indica a continuación. A continuación, instale la cubierta en el colector.



- ① Salida agua caliente
- ② Salida agua fría
- ③ Entrada agua fría al sistema
- ④ Salida agua rechazo al desagüe
- ⑤ Conexión agua filtrada al dispensador agua
- ⑥ Conexión al tanque de agua
- ⑦ Conexión al desagüe
- ⑧ Conexión entrada de agua fría
- ⑨ Grifo dispensador
- ⑩ Tanque de agua

## V. Uso del sistema

### 1. Antes del primer uso

- a. Cierre la válvula de bola del tanque de agua y encienda el grifo.
- b. Verifique que no haya fugas en ninguna de las conexiones.
- c. Siga las instrucciones para purgar a fondo.

Purgado de los filtros:

- Cierre la válvula de bola del depósito de agua. Abra el grifo para permitir que el agua fluya a través del sistema durante 30 minutos.

Enjuague el depósito de agua

- Cierre el grifo. Abra la válvula de bola del depósito de agua y deje que se llene de agua. Esto tardará 1-2 horas dependiendo de la presión del agua de entrada. Una vez que el depósito de agua esté lleno, el sistema dejará de filtrar agua.
- Abra el grifo y vacíe el depósito de agua para purgar el agua. Una vez que esté vacío, cierre el grifo y el depósito de agua se volverá a llenar.
- Repita los pasos anteriores 2 veces.

Ahora el sistema está listo para su uso.

Nota:

El caudal será menor que el grifo de la cocina. El agua pasará al drenaje mientras el sistema de filtro de RO filtra el agua, incluso cuando no se está utilizando. Esto es normal. El agua que se va a drenar se detendrá automáticamente cuando el depósito de agua esté a su capacidad.

## VI. Mantenimiento

### 1. Mantenimiento de rutina

- No se deben utilizar disolventes orgánicos como gasolina, etc. para limpiar la carcasa del dispositivo. Si es necesario limpiarlo, limpie suavemente la superficie del producto con un paño húmedo después de desconectarlo de la fuente de alimentación.
- Si el sistema no se utiliza durante más de 2 días, abra el grifo durante más de 5 minutos para purgar el sistema.
- Si el sistema no se va a utilizar durante un período prolongado, quite los cartuchos de filtro, séllelos con envolturas de plástico y guárdelos en el refrigerador (no en el congelador). Cierre la válvula de bola de tres vías, abra el grifo para vaciar el depósito de agua y cierre la válvula de bola del depósito de agua. Antes de volver a utilizarlo, repita los pasos c y e del capítulo V.



## 2. Duración de los filtros

### Nota

Para un funcionamiento óptimo, por favor reemplace los filtros de acuerdo con los periodos sugeridos a continuación. Cuando se observe una disminución significativa del flujo de agua, recomendamos cambiar los filtros. Este equipo solo puede funcionar con filtros Philips.

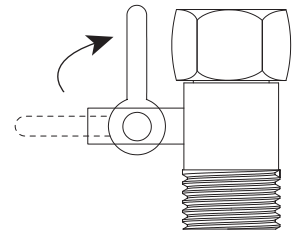
**This system can only work with Philips filters.**

Filtro	Vida útil del filtro
Filtro de PP	6-12 meses*
Filtro de CB	6-12 meses*
Membrana de RO	24-36 meses*
Mineralizador	6-12 meses*

\* La vida útil real del cartucho de filtro depende de la calidad del agua del grifo local y del uso diario. El ciclo de sustitución recomendado es un promedio basado en la calidad del agua del grifo local diferente. Si la calidad del agua del grifo local está por debajo del promedio, la vida útil real del cartucho diferirá del ciclo de sustitución recomendado. Si el cartucho del filtro está bloqueado, reemplácelo.

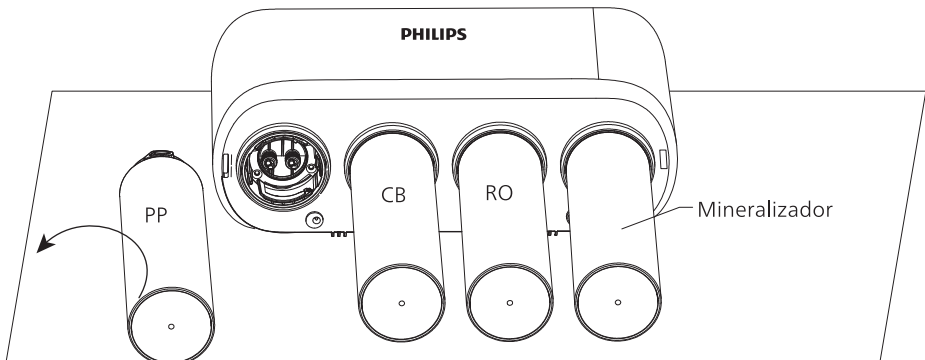
## 3. Sustitución del cartucho de filtro

a. Cierre la válvula de bola de tres vías y la válvula de bola del depósito de agua.

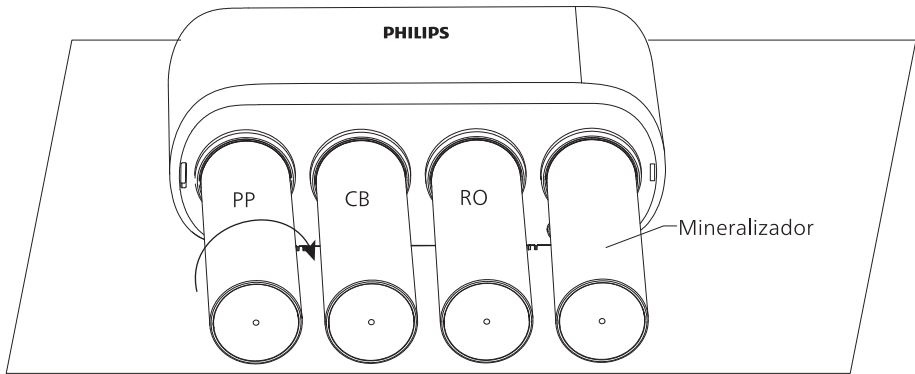


b. Abra el grifo para liberar la presión.

c. Gire el filtro que debe sustituirse hacia la izquierda y tire de él hacia fuera.



d. Retire el embalaje del nuevo filtro, inserte el cartucho en el sistema y gírelo firmemente hacia la derecha.



e. Abra la válvula de bola de tres vías del depósito de agua y abra el grifo. Deje que el agua fluya durante 1,5 horas para enjuagar los nuevos filtros.

f. Cierre el grifo y abra la válvula de bola del depósito de agua para llenar el depósito de agua. Después de eso, ahora el sistema está listo para su uso.

## VII. Precauciones

### 1. Advertencia

- Este NO es un purificador de agua. Utilice siempre agua del grifo municipal como fuente de agua. No utilice agua microbiológicamente no segura o de calidad desconocida sin una desinfección adecuada antes o después del sistema.
- Este sistema no está diseñado para que lo utilicen personas (incluidos niños) con capacidades físicas, sensoriales o mentales reducidas, o con falta de experiencia y conocimiento, a menos que hayan recibido supervisión o instrucciones sobre el uso del aparato por una persona responsable de su seguridad. Los niños deben ser supervisados para asegurarse de que no jueguen con el sistema.
- Asegúrese de manipular el sistema suavemente y con cuidado. No intente modificar o reparar el sistema usted mismo; de lo contrario, la garantía dejará de ser válida.
- Este dispositivo está diseñado para uso doméstico únicamente.

- La temperatura del agua de entrada del sistema debe estar entre 5-38 °C.  
Cuando la temperatura del agua de entrada supera los 38 °C , el filtro podría dañarse y quedar inservible. Si la temperatura del agua de entrada es inferior a 5 °C , puede provocar congelación y la rotura de partes del sistema, lo que provocaría una fuga de agua.
- No invierta el orden de instalación de los cartuchos de filtro para evitar afectar el rendimiento del filtro del sistema.
- Si el sistema es anormal o defectuoso, deje de usarlo inmediatamente. Cierre la válvula de entrada de agua y abra el grifo para vaciar el sistema. Los eventos de fallos incluyen:
  - Fuga
  - El producto está agrietado o dañado
  - Se produce un sonido anormal
  - La máquina no funcionaComuníquese con el servicio de atención al consumidor para una inspección de inmediato.
- Si no usa el sistema durante un período prolongado, corte el suministro de agua y abra el grifo para liberar la presión interna y evitar daños en el sistema.

## VIII. Resolución de problemas

Problema	Causa posible	Solución
Hay fugas.	Los componentes están dañados.	Abra la válvula de bola de tres vías y póngase en contacto con el servicio de atención al cliente.
	Los tubos o filtros no están conectados correctamente.	Verifique si los filtros no están instalados en su lugar o si las tuberías no están atornilladas firmemente.
No sale agua del grifo.	La válvula de agua fría o la válvula de bola de tres vías no están activadas.	Abra la válvula para volver a realizar la prueba.
El caudal se vuelve más lento.	Las tuberías están muy torcidas o dobladas.	Verifique todas las tuberías de agua, incluidas las tuberías de entrada de agua, la tubería de drenaje de agua, la tubería de agua pura y la tubería del depósito de agua para asegurarse de que el agua puede pasar correctamente por las tuberías.
	La válvula de bola de tres vías no está activada.	Asegúrese de que la válvula de bola de tres vías está completamente activada
	El filtro está obstruido.	Sustituya un filtro nuevo o póngase en contacto con el servicio de atención al cliente
	La presión del agua de entrada es baja.	Espere hasta que la presión del agua de entrada se estabilice o instale un aumento de presión antes del sistema si la presión del agua de entrada es constantemente inferior a 0,3 MPa.
No hay agua en el desagüe	La tubería de desagüe está torcida o el filtro de RO está dañado.	Cambie la tubería de agua de drenaje o el filtro de RO. Póngase en contacto con el servicio de atención al cliente, si es necesario.

Mal sabor del agua.	El filtro ha alcanzado el final de su vida útil.	Sustituya el filtro.
	El sistema no se ha utilizado durante algún tiempo.	Verifique el mantenimiento rutinario en el capítulo VI.
	La calidad del agua de entrada es deficiente.	Utilice siempre agua del grifo municipal como fuente de agua. No utilice agua que no sea microbiológicamente segura o de calidad desconocida sin una desinfección adecuada antes o después del sistema. Instale un prefiltro antes del sistema si la calidad del agua de entrada es constantemente deficiente.

## IX. Garantía y servicio

Si necesita información o si tiene algún problema, visite [www.philips.com](http://www.philips.com) o comuníquese con el centro de atención al consumidor de su país. Si no hay un centro de atención al consumidor en su país, vaya a un distribuidor local. En un plazo de dos años a partir de la fecha de compra, recibirá el servicio de garantía gratuito por cualquier daño causado por el proceso de fabricación o componentes en funcionamiento normal confirmados por nuestro servicio de mantenimiento.

El servicio de garantía no incluye componentes consumibles reemplazados con frecuencia, dispositivos auxiliares, tarifas de transporte y servicio puerta a puerta.

Muestre el comprobante de compra al personal de servicio durante el mantenimiento.

## X. Lista de embalaje

Cabezal del sistema	1X
Filtro de PP	1X
Filtro de CB	1X
Membrana de RO	1X
Mineralizador	1X
Depósito de agua	1X
Válvula de bola del depósito de agua	1X
Válvula de bola de tres vías	1X
Tubería de PE de 1/4"	1X
Tornillo	2X
Tornillo de expansión	2X
Grifo y accesorio	1X
Manual del usuario	1X
Pinza	7X
Conector de drenaje	1X
Racor de conexión rápida	1X
Anillo de 1/4" (pieza de repuesto)	2X

# Contenu

---

I. Présentation du produit	38
----------------------------	----

---

II. Spécification du produit	38
------------------------------	----

---

III. Présentation du produit et illustration de l'installation	39
--	----

---

IV. Installation	40
Installer le robinet à boisseau sphérique à trois voies	41
Installer la robinetterie	43
Installez le collecteur du dispositif	43
Raccordez l'arrivée d'eau et la vanne 3 voies à boisseau sphérique	44
Raccordez la sortie d'eau et le robinet	45
Assemblez le tuyau d'évacuation d'eau et le raccord de siphon	45
Raccordez le réservoir d'eau au dispositif	46
Vérifiez si le dispositif est correctement installé, et ouvrez la vanne 3 voies à boisseau sphérique	47

---

V. Utilisation du dispositif	49
Avant la mise en service	49

---

---

VI. Entretien	49
Entretien de routine	49
Durée de vie du filtre	50
Remplacement d'une cartouche filtrante	50

---

VII. Précautions	52
Avertissement	52

---

VIII. Diagnostic des défaillances	53
-----------------------------------	----

---

IX. Garantie et service	54
-------------------------	----

---

X. Contenu	55
------------	----

---



Pour plus de langues,  
scannez le code QR

## I. Présentation du produit

Nous vous félicitons pour votre achat et vous souhaitons la bienvenue chez Philips ! La membrane d'osmose inverse présente une capacité de filtration élevée (jusqu'à 0,0001 microns) permettant d'éliminer notamment virus, bactéries, métaux lourds, pesticides, calcaire, composés organiques volatils, chlore efficacement. Vous profitez ainsi d'une eau au goût très agréable.\* Le système de filtre QuickTwist vous permet de remplacer aisément les cartouches filtrantes.

Le conserver aux fins de référence future.

\* Les substances éliminées ou réduites par ce système ne se trouvent pas nécessairement dans l'eau de tous les utilisateurs.

## II. Spécification du produit

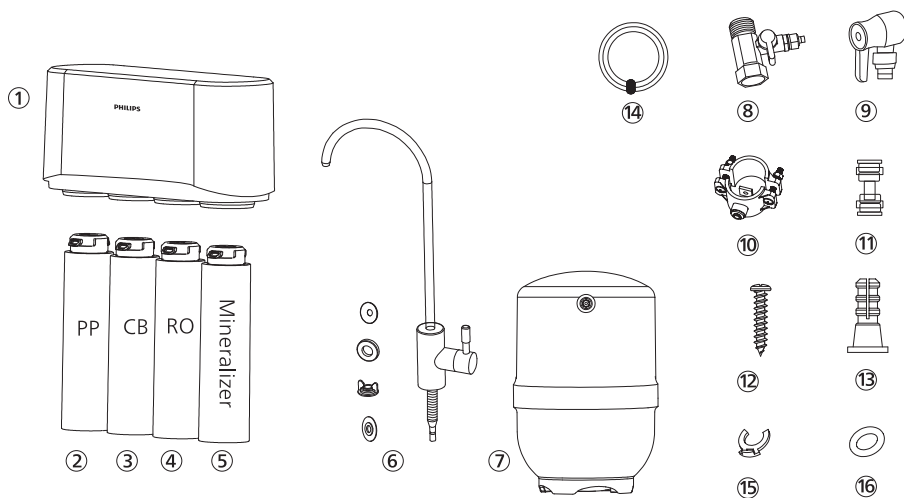
Nom du produit	Philips reverse osmosis under-the-sink water filtration system
Modèle du produit	AUT3268
Débit d'eau filtrée	0.19L/min
Capacité de filtration	Filtre PP / Filtre CB / Filtre reminéralisant : 6-12 mois Filtre RO : 24-36 mois
Tension nominale	0.3-0.7 MPa**
Pression d'admission d'eau	11L
Température d'admission d'eau	5°C-38°C
Maximum inlet water TDS	1500 ppm***
Maximum inlet water hardness	15 °HF***
Source d'eau applicable	Eau du robinet répondant à l'ensemble des exigences de la Directive européenne sur l'eau pour la consommation humaine n° 98/83 et ses transpositions nationales dans les différents États membres de l'UE.



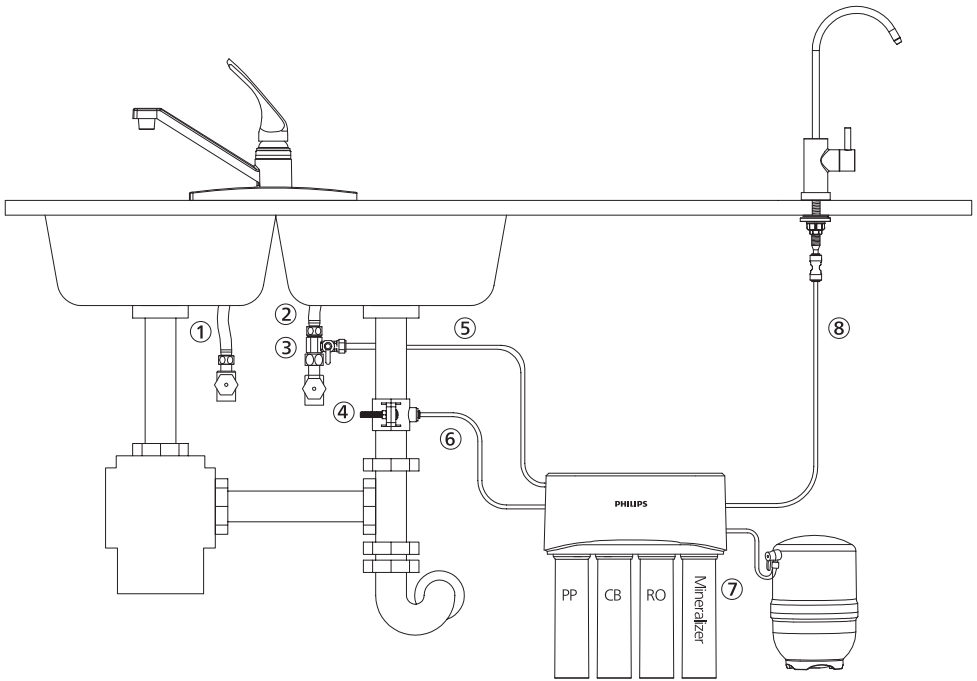
\*\* Lorsque la pression d'admission d'eau dépasse 0,7 MPa, une soupape de surpression doit être installée en amont du système. Lorsque la pression d'admission d'eau est inférieure à 0,3 MPa, un dispositif de surpression doit être installé en amont du système. La soupape de surpression et le dispositif de surpression additionnels doivent être achetés séparément.

\*\*\* Si les matières solides dissoutes totales (TDS) de l'eau en entrée excèdent 1 500 ppm, ou si la dureté excède 15 °f, la durée de vie des filtres peut être affectée. Veuillez consulter votre distributeur pour OSRAM pour envisager l'installation de préfiltres en amont du dispositif.

### III. Présentation du produit et illustration de l'installation



- ① Collecteur du dispositif
- ② Filtre PP
- ③ Filtre CB
- ④ Filtre RO
- ⑤ Filtre reminéralisant
- ⑥ Robinet et accessoires
- ⑦ Réservoir d'eau
- ⑧ Vanne 3 voies à boisseau sphérique
- ⑨ Raccord de réservoir
- ⑩ Raccord de siphon
- ⑪ Raccord rapide 1/4"
- ⑫ Vis
- ⑬ Cheville à expansion
- ⑭ Tuyau PE 1/4"
- ⑮ Clip de maintien pour tuyau 1/4"
- ⑯ Joint torique



- |                                      |                                      |
|--------------------------------------|--------------------------------------|
| ① Chaud                              | ⑤ Arrivée eau froide vers collecteur |
| ② Froid                              | ⑥ Tuyau d'évacuation vers collecteur |
| ③ Vanne 3 voies à boisseau sphérique | ⑦ Réservoir d'eau vers collecteur    |
| ④ Raccord de siphon                  | ⑧ Robinet vers collecteur            |

## IV. Installation

### Remarque:

- Il est important avant l'installation de vérifier l'état du système pour s'assurer qu'il n'a pas été endommagé au cours du transport.
- Déballez le système et ses accessoires. Retirez le matériau d'emballage protecteur. Des matériaux recyclables ont été utilisés à cette fin et doivent être éliminés dans les bacs de recyclage dédiés ou collectés dans un centre de recyclage local spécifique.

**Avertissement : tenir les sacs en plastique hors de la portée des enfants, car ils peuvent être dangereux.**

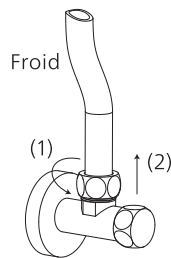
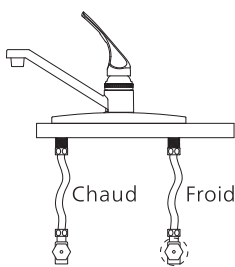
- Vérifier la complétude de la liste du colis et l'aperçu.

- Étant donné que le système améliorera la qualité de votre eau potable, tous les outils utilisés dans le processus d'installation doivent être propres, démunis de rouille et de graisse.
- Le processus d'installation doit être réalisé dans des conditions d'hygiène adéquates, en prenant toutes les précautions requises relatives aux matériaux et aux composants qui entreront en contact avec l'eau à traiter ou de consommation.
- Éviter la contamination externe du système par une manipulation inappropriée, en utilisant des gants, du gel désinfectant et en lavant les mains aussi souvent que nécessaire au cours du processus d'installation, de la première utilisation et de l'entretien du système.
- Le système et l'installation doivent être conformes aux réglementations locales en vigueur.
- This product cannot be disposed of with other domestic waste products. At the end of the product's service life, it should be returned to the place of purchase, or at a local recycling center. The appropriate collection and treatment of the product, which no longer are to be used, contributes to the preservation of natural resources and avoids any potential public health risks.

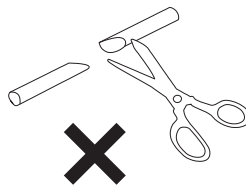
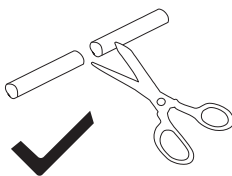


## 1. Installer le robinet à boisseau sphérique à trois voies

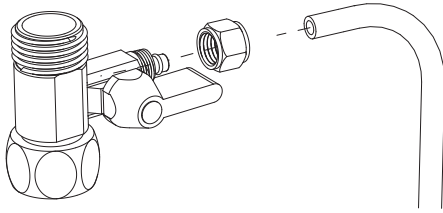
- Couper l'alimentation en eau froide. Ouvrir la robinetterie d'eau froide de la cuisine pour relâcher la pression et permettre à l'eau d'être évacuée de la conduite. Déconnecter le tuyau d'eau froide du robinet d'eau froide.



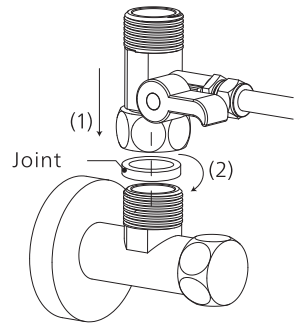
- Mesurez la longueur du tuyau 1/4" et coupez-le en conséquence à l'aide d'un coupe-tube.



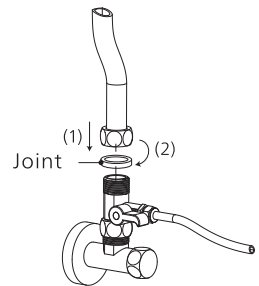
Faire glisser l'écrou du robinet à boisseau sphérique à trois voies sur le tuyau PE 1/4" et insérer le tuyau dans l'ouverture du robinet à boisseau sphérique à trois voies. Serrer l'écrou avec une clé.



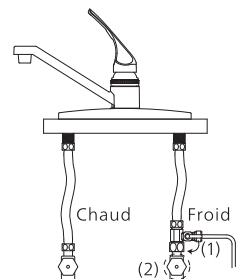
c. Installer le robinet à boisseau sphérique à trois voies sur le robinet d'eau froide. Ne pas oublier le joint situé à l'intérieur du robinet à boisseau sphérique à trois voies au cours du montage.



d. Connecter le tuyau d'eau froide au robinet à boisseau sphérique à trois voies et le visser fermement avec une clé. Ne pas oublier le joint situé à l'intérieur du tuyau d'eau froide au cours du montage.



e. Fermer le robinet à boisseau sphérique à trois voies. Ouvrir l'alimentation en eau froide. Essayer les raccords avec un mouchoir pour localiser la présence d'éventuelles fuites. Si le tissu reste sec, cela signifie que le robinet à boisseau sphérique à trois voies est installé de manière appropriée.

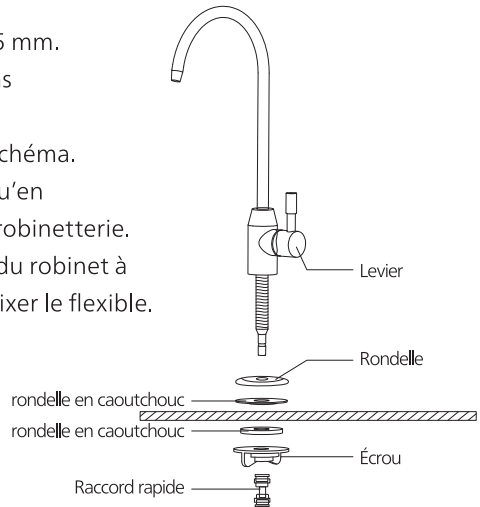


## 2. Installer la robinetterie

### Remarque:

Sélectionner une position de montage adéquate. L'environnement dans lequel la robinetterie est installée doit respecter toutes les conditions d'hygiène et d'assainissement requises. S'assurer que la robinetterie repose à plat sur le dessus de l'évier ou du plan de travail.

- a. Percer un orifice d'un diamètre d'environ 25 mm.  
Passer cette étape s'il y a déjà un orifice dans l'évier ou le plan de travail.
- b. Installer la robinetterie conformément au schéma.  
Visser l'écrou de la tige de robinetterie jusqu'en haut de la tige et le serrer pour sécuriser la robinetterie.
- c. Raccordez le flexible du robinet au raccord du robinet à l'arrière du dispositif et serrez l'écrou pour fixer le flexible.



## 3. Installez le collecteur du dispositif

### Remarque:

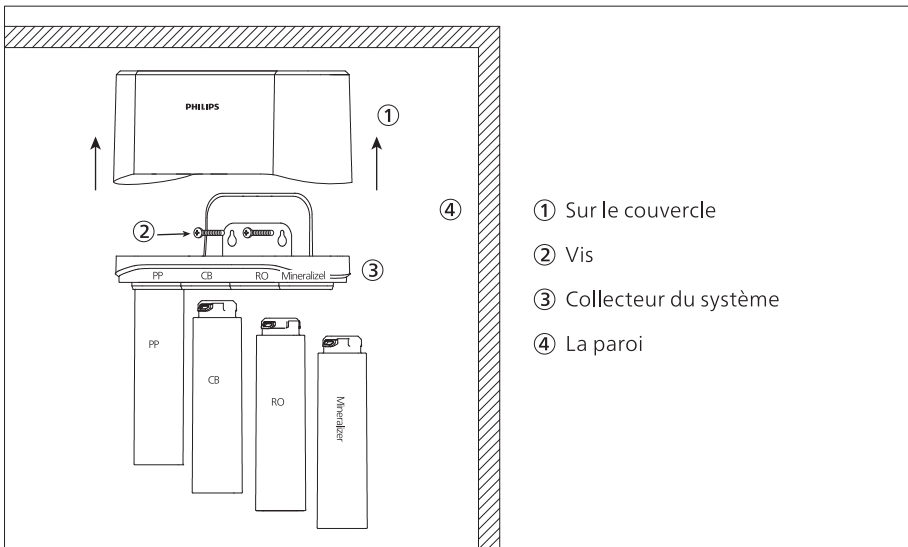
Vérifier s'il y a suffisamment d'espace pour installer le système en lui-même, ses accessoires, les raccords et pour l'entretien et la réparation. Le système ne doit en aucun cas être installé en extérieur. L'environnement dans lequel le système est installé doit respecter toutes les conditions d'hygiène et d'assainissement requises. Éviter tout écoulement externe de liquides sur le système, issus de tuyaux ou de vidanges, etc.

Ce système doit être placé sur une surface stable et plane. Tenir le système à l'écart de la chaleur. Il ne doit pas être placé dans un endroit pouvant présenter des fuites de gaz inflammables.

### Montage mural (étape facultative)

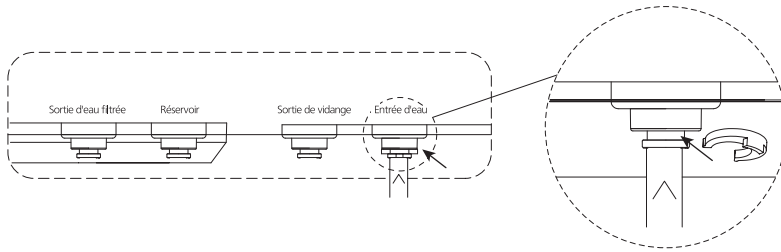
- a. Choisissez un endroit facilement accessible sous l'évier pour y installer le collecteur du dispositif.

- b. Retirez le couvercle, marquez l'emplacement des vis de fixation sur la paroi en utilisant le support intégré sur la partie arrière du collecteur. Assurez-vous que les trous soient alignés aussi horizontalement que possible. (Remarque : les trous doivent être percés à 40 cm minimum du sol – ou de la paroi horizontale inférieure – afin de laisser un espace suffisant pour le remplacement des filtres)
- c. Percez 2 trous pour le support de fixation du collecteur du dispositif, en vous servant d'un foret 1/4" (6,35 mm).
- Remarque : ne percez rien au-delà de la paroi du meuble.
- d. Insérez les chevilles à expansion et les vis de fixation dans la paroi en laissant dépasser chaque vis d'environ 1 cm (3/8").
- e. Placez le collecteur sur la paroi pour vérifier qu'il coïncide avec l'emplacement des vis. Faites ensuite glisser le collecteur vers le bas.
- f. Retirez l'emballage des cartouches filtrantes, insérez ces dernières dans le collecteur dans l'ordre approprié, puis tournez-les dans le sens horaire pour les bloquer en place.



#### 4. Raccordez l'arrivée d'eau et la vanne 3 voies à boisseau sphérique

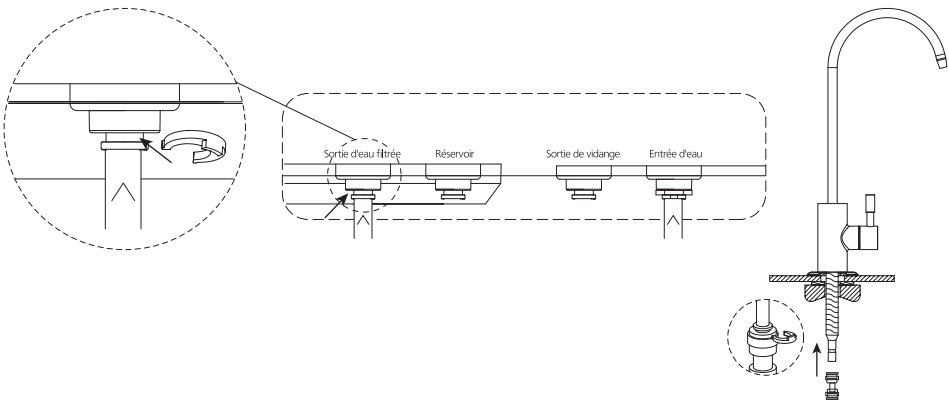
Insérez l'autre extrémité du tuyau 1/4" qui a été raccordé à la vanne 3 voies à boisseau sphérique à l'orifice d'arrivée d'eau à l'arrière du dispositif. Utilisez un clip pour maintenir le tuyau au niveau de l'orifice.



Remarque : la pression d'eau en entrée doit être comprise entre 0,3 et 0,7 MPa (3 et 7 bar).  
 Si la pression est trop faible, il est recommandé d'installer un surpresseur en amont du dispositif. Si la pression est trop élevée, un réducteur de pression doit être installé en amont du dispositif.

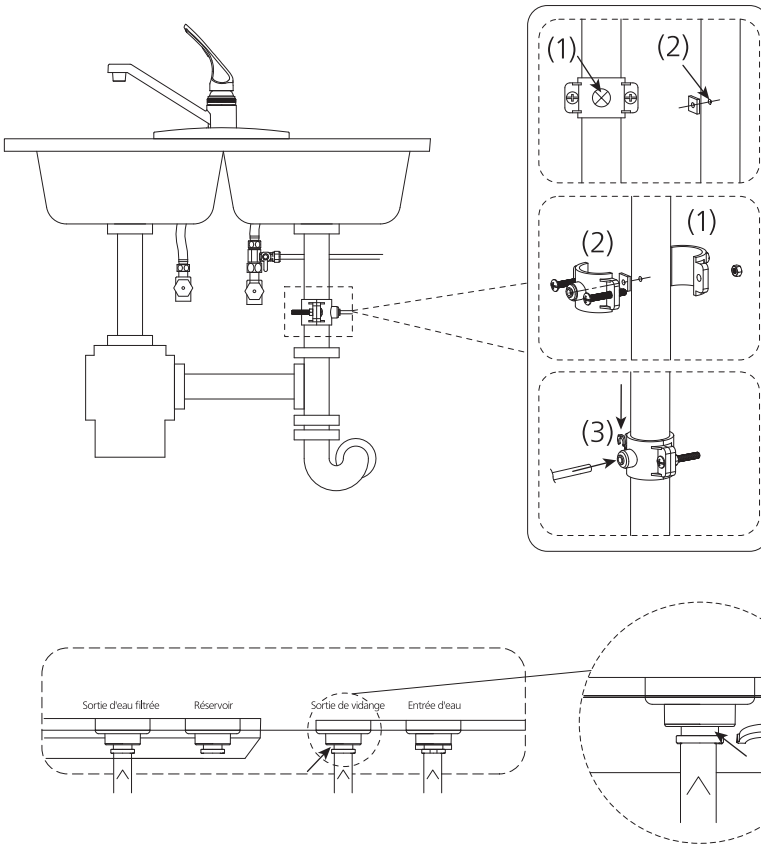
### 5. Raccordez la sortie d'eau et le robinet

Après avoir mesuré la longueur du tuyau 1/4" nécessaire pour raccorder le dispositif au robinet pipe, coupez le tuyau 1/4" avec un coupe-tube. Insérez une extrémité du tuyau dans un raccord rapide, et raccordez ce dernier au raccord du robinet. Insérez l'autre extrémité du tuyau 1/4" dans l'orifice de sortie d'eau filtrée à l'arrière du dispositif jusqu'à ce qu'il soit bloqué. Utilisez un clip pour maintenir le tuyau au niveau de l'orifice.



### 6. Assemblez le tuyau d'évacuation d'eau et le raccord de siphon

Repérez où se trouve le tuyau d'évacuation des eaux usées. Percez un trou de 6,5 mm sur le tuyau d'évacuation. Installez le raccord de siphon en vous référant à l'illustration. Serrez correctement les écrous. Coupez un morceau de tuyau 1/4". Insérez une extrémité du morceau obtenu dans l'orifice du tuyau d'évacuation à l'arrière du dispositif jusqu'à ce qu'il soit bloqué. Utilisez un clip pour maintenir le tuyau au niveau de l'orifice. Insérez l'autre extrémité du tuyau dans le raccord de siphon.



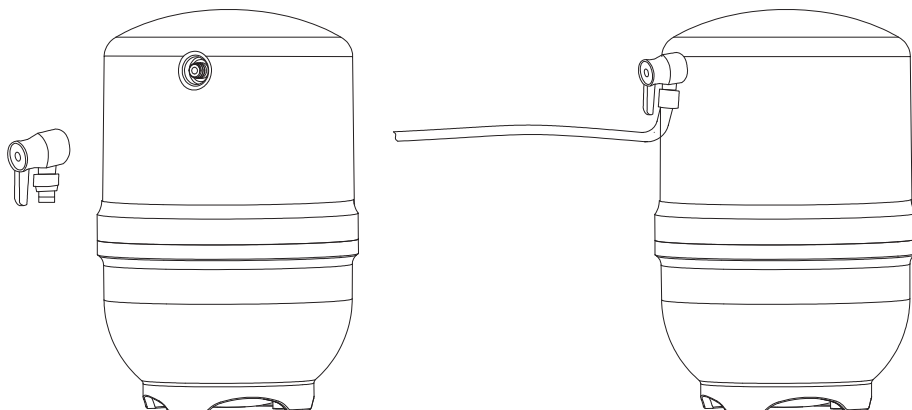
Remarque : la pression d'eau en entrée doit être comprise entre 0,3 et 0,7 MPa (3 et 7 bar).  
 Si la pression est trop faible, il est recommandé d'installer un surpresseur en amont du dispositif. Si la pression est trop élevée, un réducteur de pression doit être installé en amont du dispositif.

### 7. Raccordez le réservoir d'eau au dispositif

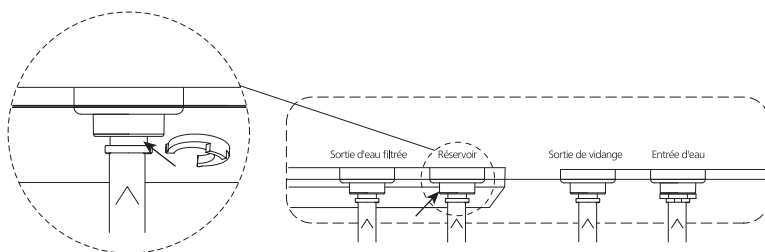
Installez la vanne à boisseau sphérique du réservoir d'eau sur ce dernier en la tournant dans le sens horaire.

Coupez un morceau de tuyau 1/4". Insérez une extrémité du tuyau dans la vanne à boisseau sphérique du réservoir d'eau, et insérez l'autre extrémité du tuyau dans le raccord du réservoir d'eau à l'arrière du dispositif jusqu'à ce qu'il soit bloqué.

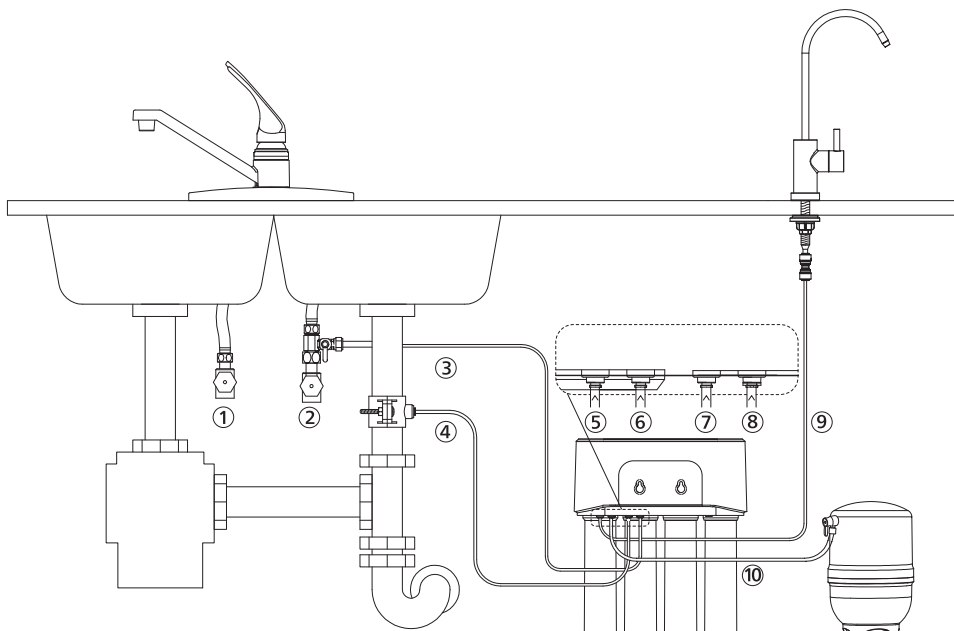




**8. Vérifiez si le dispositif est correctement installé, et ouvrez la vanne 3 voies à boisseau sphérique**



Placez le collecteur et le réservoir d'eau à un endroit adapté comme indiqué ci-dessous. Installez ensuite le couvercle sur le collecteur.



- |                              |                                   |
|------------------------------|-----------------------------------|
| ① Chaud                      | ⑥ Réservoir                       |
| ② Froid                      | ⑦ Sortie de vidange               |
| ③ Tuyau d'arrivée d'eau      | ⑧ Entrée d'eau                    |
| ④ Tuyau de sortie de vidange | ⑨ Robinets                        |
| ⑤ Sortie d'eau filtrée       | ⑩ Raccordement du réservoir d'eau |

## V. Utilisation du dispositif

### 1. Avant la mise en service

- a. Fermez la vanne à boisseau sphérique du réservoir d'eau et ouvrez le robinet.
- b. Vérifiez qu'il n'y ait pas de fuites au niveau des différents raccords.
- c. Respectez à la lettre les instructions de purge.

Purge des filtres :

- Fermez la vanne à boisseau sphérique du réservoir d'eau. Ouvrez le robinet et laissez l'eau couler à travers le dispositif pendant 30 minutes.

Videz le réservoir d'eau

- Fermez le robinet. Ouvrez la vanne à boisseau sphérique du réservoir d'eau et laissez ce dernier se remplir d'eau. Cela prend 1 à 2 heures suivant la pression de l'eau en entrée. Une fois le réservoir d'eau plein, le dispositif arrêtera de filtrer l'eau.
- Ouvrez le robinet et videz l'eau du réservoir d'eau. Une fois ce dernier vide, fermez le robinet, et le réservoir d'eau se remplira de nouveau.
- Répétez les étapes ci-dessus deux fois.

Le dispositif est maintenant prêt à être utilisé.

Remarque :

Le débit sera plus faible que celui de votre robinet de cuisine. L'eau partira dans le tuyau d'évacuation lorsque le dispositif de filtre RO filtre l'eau – même lorsqu'il est inutilisé. Ceci est normal. L'eau arrêtera de s'écouler dans l'évacuation une fois le réservoir d'eau plein.

## VI. Entretien

### 1. Entretien de routine

- Les solvants organiques tels que l'essence, etc. ne doivent pas être utilisés pour essuyer le boîtier du dispositif. En cas de nécessité de nettoyage, essuyer doucement la surface du produit avec un chiffon humide après avoir débranché l'alimentation électrique.
- Si le dispositif n'est pas utilisé pendant plus de 2 jours, laissez ouvert le robinet pendant 5 minutes et demie minimum pour purger le dispositif.

- Si le dispositif doit rester inutilisé pendant une période prolongée, retirez les cartouches filtrantes, obturez-les avec du film plastique, et placez-les dans le réfrigérateur (pas dans le freezer, ni dans un congélateur). Fermez la vanne 3 voies à boisseau sphérique, ouvrez le robinet pour vider le réservoir d'eau, et fermez la vanne à boisseau sphérique de ce dernier. Avant de réutiliser le dispositif, répétez les étapes c et e du chapitre V.

## 2. Durée de vie du filtre

### Remarque

Pour de meilleures performances, changer la cartouche de filtration en fonction de l'indicateur de durée de vie du filtre ou du cycle de remplacement du filtre suggéré ci-dessous. En cas de baisse flagrante du débit, nous recommandons de changer également les filtres.

**Ce système ne peut fonctionner qu'avec des filtres Philips.**

Filtre	Durée de vie du filtre
Filtre PP	6-12 mois*
Filtre CB	6-12 mois*
Filtre RO	24-36 mois*
Filtre reminéralisant	6-12 mois*

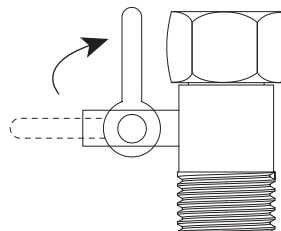
\* La durée de vie réelle de la cartouche de filtration dépend de la qualité locale de l'eau du robinet et de l'utilisation quotidienne. Le cycle de remplacement recommandé est une moyenne basée sur des qualités d'eau du robinet différentes.

Si la qualité locale de l'eau du robinet est inférieure à la moyenne, la durée de vie réelle de la cartouche sera différente de celle du cycle de remplacement recommandé.

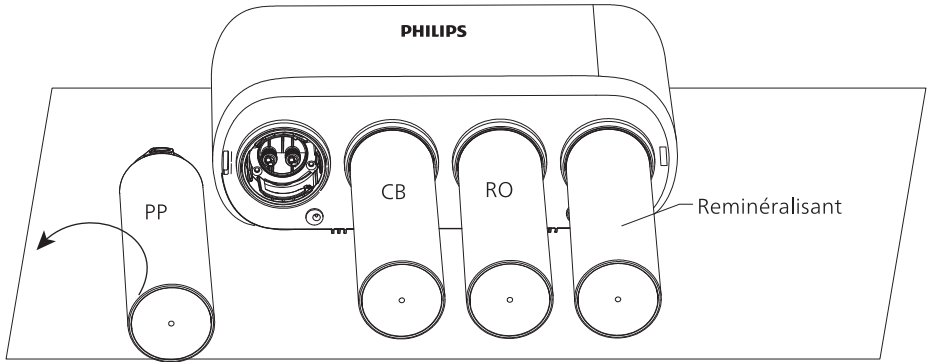
Si la cartouche de filtration est bloquée, la remplacer.

## 3. Remplacement d'une cartouche filtrante

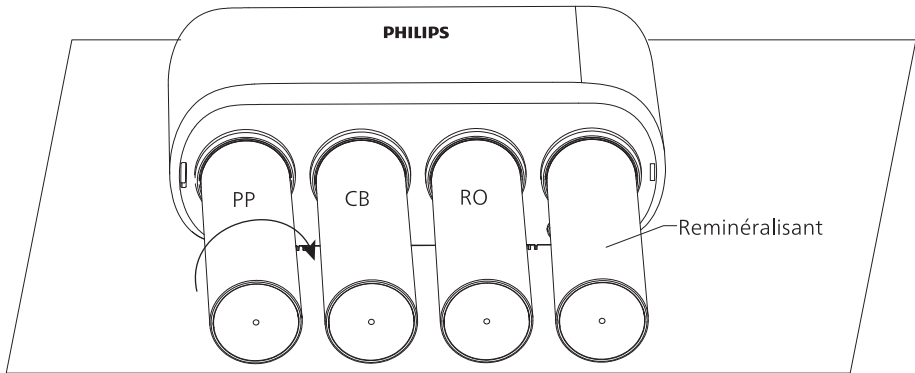
a. Fermez la vanne 3 voies à boisseau sphérique et la vanne à boisseau sphérique du réservoir d'eau.



- b. Ouvrez le robinet pour relâcher la pression.
- c. Tournez le filtre devant être remplacé dans le sens antihoraire et retirez-le.



- d. Retirez l'emballage du filtre neuf, insérez la cartouche dans le dispositif, puis serrez-la fermement en tournant dans le sens horaire.



- e. Ouvrez la vanne 3 voies à boisseau sphérique et le robinet. Laissez couler l'eau pendant 1 heure et demie pour rincer les nouveaux filtres.
- f. Fermez le robinet et ouvrez la vanne à boisseau sphérique du réservoir d'eau pour remplir ce dernier. Après cela, le dispositif est prêt à être utilisé.

## VII. Précautions

### 1. Avertissement

- CE N'EST PAS un purificateur d'eau. Toujours utiliser l'eau du robinet comme source d'eau. Ne pas utiliser d'eau dangereuse d'un point de vue microbiologique ou de qualité inconnue sans une désinfection adéquate en amont ou en aval du système.
- Le présent système ne doit pas être utilisé par des personnes (y compris des enfants) dont les capacités physiques, sensorielles ou intellectuelles sont réduites ou des personnes manquant d'expérience et de connaissances, à moins d'être sous surveillance ou d'avoir reçu des instructions par l'individu responsable de leur sécurité. Les enfants doivent être surveillés pour s'assurer qu'ils ne jouent pas avec le système.
- Manipuler le système avec douceur et précaution. Ne pas essayer de modifier ou de réparer le système soi-même, faute de quoi la garantie sera annulée.
- Le présent dispositif est destiné à un usage domestique uniquement.
- La température de l'eau d'admission du système doit être comprise entre 5 et 38 °C. Lorsque la température de l'eau d'admission dépasse 38 °C, le filtre peut être endommagé et rendu inutilisable. Si la température de l'eau d'admission est inférieure à 5 °C, cela peut provoquer le gel et la rupture des éléments du système, entraînant des fuites d'eau.
- Ne pas inverser l'ordre d'installation des cartouches de filtration pour éviter d'impacter les performances de filtration du système.
- Si le système est anormal ou défectueux, cesser immédiatement de l'utiliser. Fermer le robinet d'arrivée d'eau et ouvrir la robinetterie pour vider le système. Les défaillances comprennent les éléments suivants :
  - Fuite
  - Le produit est fissuré ou endommagé.
  - Un bruit anormal est constaté.
  - La machine ne fonctionne pas.Contactez immédiatement le service client aux fins d'inspection.
- Si le système n'est pas utilisé pendant une période prolongée, fermer l'alimentation en eau et ouvrir la robinetterie pour relâcher la pression interne de sorte à ne pas endommager le système.

## VIII. Diagnostic des défaillances

Problème	Cause possible	Solution
Présence d'une fuite.	Les composants sont endommagés.	Fermez la vanne 3 voies à boisseau sphérique et contactez le service client.
	Les tuyaux ou les filtres ne sont pas correctement raccordés.	Vérifiez que les filtres sont bien mis en place et que les tuyaux sont bien serrés.
L'eau ne sort pas du robinet.	Le robinet d'arrêt d'eau froide ou la vanne 3 voies à boisseau sphérique n'est pas ouvert(e).	Ouvrez le robinet d'arrêt / la vanne pour effectuer un nouveau test.
Le débit ralentit.	Les tuyaux sont fortement vrillés ou pliés.	Contrôlez toutes les conduites d'eau, y compris le tuyau d'arrivée d'eau, le tuyau d'évacuation d'eau, le tuyau d'eau purifiée et le tuyau du réservoir d'eau en vous assurant que l'eau circule librement dans l'ensemble de la tuyauterie.
	La vanne 3 voies à boisseau sphérique n'est pas totalement ouverte.	Assurez-vous que la vanne 3 voies à boisseau sphérique est complètement ouverte.
	Un filtre est colmaté.	Installez un filtre neuf ou contactez le service client.
	La pression d'eau en entrée est faible.	Attendez que la pression d'eau en entrée devienne stable, ou installez un surpresseur en amont du dispositif si la pression d'eau en entrée est constamment inférieure à 0,3 MPa (3 bars).
L'eau ne s'écoule pas dans le tuyau d'évacuation.	Le tuyau d'évacuation d'eau est vrillé ou le filtre RO est endommagé.	Changez le tuyau d'évacuation d'eau ou le filtre RO. Contactez le service client si nécessaire.
Mauvaise qualité de l'eau en sortie.	Le filtre est en fin de vie.	Remplacez le filtre.
	Le dispositif n'a pas servi pendant un certain temps.	Reportez-vous aux opérations d'entretien courant du chapitre VI.

Mauvaise qualité de l'eau en sortie	La qualité de l'eau en entrée est insuffisante.	Utilisez exclusivement l'eau potable du réseau de distribution public en tant que source d'eau. N'utilisez pas, que ce soit en amont ou en aval du dispositif, une eau insalubre d'un point de vue microbiologique, ou de qualité incertaine, sans que celle-ci ait subi une décontamination appropriée. Installez un préfiltre en amont du dispositif si l'eau en entrée est constamment de qualité insuffisante.
-------------------------------------	---	--

## IX. Garantía y servicio

Si vous avez besoin d'informations ou si vous rencontrez des problèmes, veuillez-vous rendre sur [www.philips.com](http://www.philips.com) ou contacter le service client de votre pays. S'il n'y a pas de centre d'assistance aux consommateurs dans votre pays, adressez-vous à un revendeur local. Dans les deux ans à compter de la date d'achat, vous bénéficierez d'un service de garantie gratuit pour tout dommage confirmé par notre service de maintenance, issu de la fabrication ou de l'utilisation normale des composants. Le service de garantie n'inclut pas les consommables fréquemment remplacés, les dispositifs auxiliaires, les frais de transport et le service de porte-à-porte. Veuillez fournir la preuve d'achat au personnel de service au cours de l'entretien.



## X. Contenu

Collecteur du dispositif	1X
Filtre PP	1X
Filtre CB	1X
Membrane RO	1X
Filtre reminéralisant	1X
Réservoir d'eau	1X
Vanne à boisseau sphérique du réservoir d'eau	1X
Vanne 3 voies à boisseau sphérique	1X
Tuyau PE 1/4"	1X
Vis	2X
Cheville à expansion	2X
Robinet et accessoires	1X
Manuel d'utilisation	1X
Clip	7X
Raccord de siphon	1X
Raccord rapide	1X
Joint 1/4" (pièce de rechange)	2X

Conserver ce manuel d'utilisation pour toute consultation future.  
Les informations contenues dans le présent mode d'emploi sont susceptibles d'être  
modifiées sans préavis fourni aux utilisateurs.

# Indice

---

I. Introduzione prodotto	57
--------------------------	----

---

II. Specifica del prodotto	57
----------------------------	----

---

III. Panoramica del prodotto e illustrazioni per l'installazione	58
--	----

---

IV. Installazione	59
Installare la valvola a sfera a tre vie	60
Installare il rubinetto	62
Installare il connettore dell'impianto	62
Collegare l'entrata dell'acqua e la valvola sferica a tre vie	64
Collegare l'uscita dell'acqua e il rubinetto	64
Collegare l'uscita dell'acqua di scarico e il connettore di scarico	65
Collegare il serbatoio dell'acqua all'impianto	66
Verificare che l'impianto sia correttamente installato e aprire la valvola sferica a tre vie	66

---

V. Utilizzo dell'impianto	68
Prima del primo impiego	68

---

---

VI. Manutenzione	68
Manutenzione ordinaria	68
Vita utile filtro	69
Sostituzione della cartuccia del filtro	69

---

VII. Precauzioni	71
Attenzione	71

---

VIII. Risoluzione dei problemi	72
--------------------------------	----

---

IX. Garanzia e assistenza	73
---------------------------	----

---

X. Contenuto della confezione	74
-------------------------------	----

---



Per altre lingue scansiona  
il codice QR

# I. Introduzione prodotto

Congratulazioni per l'acquisto e benvenuti da Philips! La membrana ad osmosi inversa garantisce un elevato livello di filtraggio fino a 0,0001 micron, per un efficace rimozione di virus, batteri, metalli pesanti, pesticidi, durezza dell'acqua, composti organici volatili, cloro e molto altro – assicurando un'acqua sempre fresca e saporita.\* Il filtro con design QuickTwist consente di sostituire le cartucce del filtro senza il minimo sforzo. Prima di utilizzare il dispositivo si prega di leggere attentamente il presente manuale utente. Conservarlo per consultazioni future.

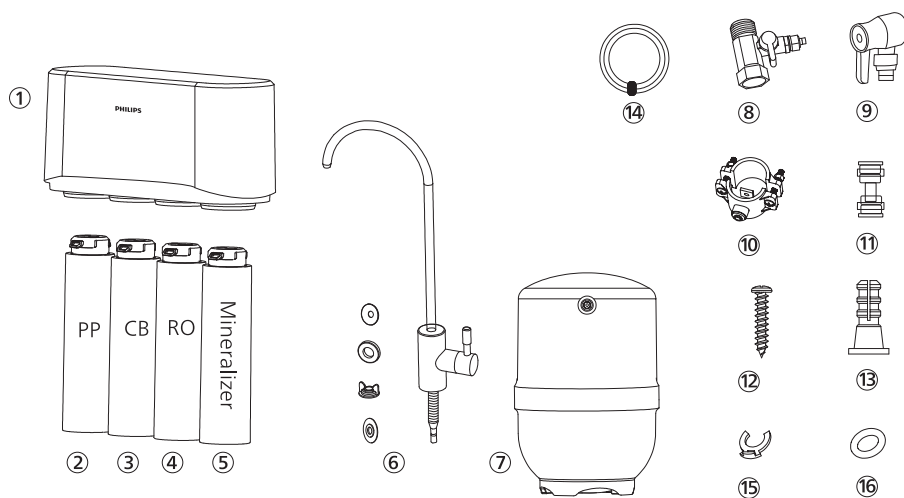
\* Non è detto che le sostanze eliminate o ridotte dal sistema siano sempre necessariamente presenti in tutti i tipi di acqua utilizzati dagli utenti.

# II. Specifica del prodotto

Nome prodotto	Impianto Philips di filtraggio acqua a osmosi inversa, da installare sotto il lavandino
Modello prodotto	AUT3268
Velocità di flusso acqua filtrata	0.19L/min
Capacità di filtraggio	Filtro PB/Filtro CB/Mineralizzatore: 6-12 mesi Filtro RO: 24-36 mesi
Tensione nominale	0.3-0.7 MPa**
Pressione acqua in ingresso	11L
Temperatura acqua in ingresso	5°C-38°C
Livello massimo di solidi disciolti totali nell'acqua in ingresso	1500 ppm***
Livello massimo di durezza dell'acqua in ingresso	15 °HF***
Risorsa idrica applicabile	Acqua comunale di rubinetto conforme alla direttiva europea 98/83 concernente la qualità delle acque destinate al consumo e rispettivi recipienti a livello nazionale nei paesi membri UE.

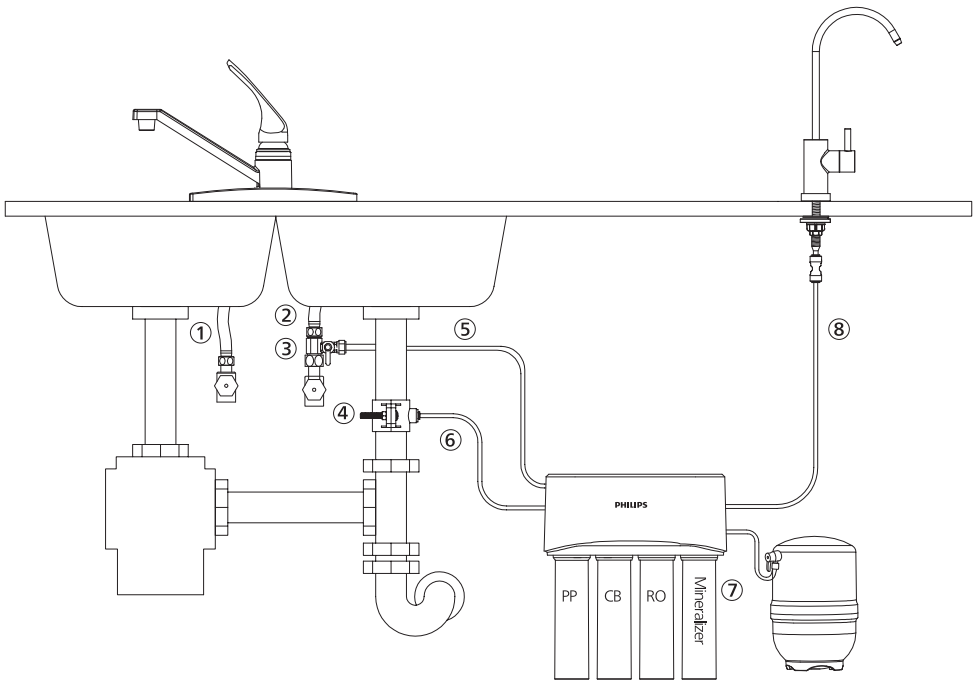
- \*\* Quando la pressione dell'acqua in ingresso è superiore a 0,7 MPa, è necessario installare una valvola di rilascio della pressione a monte dell'impianto. Quando la pressione dell'acqua in ingresso è superiore a 0,3 MPa, è necessario installare una valvola di rilascio della pressione a monte dell'impianto. La valvola di rilascio della pressione e il moltiplicatore di pressione vanno acquistati a parte.
- \*\*\* Valori TDS dell'acqua in ingresso superiori a 1.500 ppm o valori di durezza dell'acqua superiori a 15 °HF potrebbero avere conseguenze sulla vita utile del filtro. Si prega di consultare il proprio rivenditore per la possibile installazione di pre-filtri a monte dell'impianto.

### III. Panoramica del prodotto e illustrazioni per l'installazione



- ① Collettore impianto
- ② Filtro PP
- ③ Filtro CB
- ④ Filtro RO
- ⑤ Mineralizzatore
- ⑥ Rubinetto e accessori
- ⑦ Serbatoio dell'acqua
- ⑧ Valvola sferica a tre vie

- ⑨ Connettore del serbatoio
- ⑩ Connettore di scarico
- ⑪ Raccordo connessione rapida 1/4"
- ⑫ Viti
- ⑬ Vite a espansione
- ⑭ Linea PE 1/4"
- ⑮ Fermo linea 1/4"
- ⑯ Anello di elastomero



- |                             |   |
|-----------------------------|---|
| ① Caldo                     | ⑤ Da ingresso acqua fredda a collettore |
| ② Freddo                    | ⑥ Da uscita scarico a collettore        |
| ③ Valvola sferica a tre vie | ⑦ Da serbatoio acqua a collettore       |
| ④ Connettore di scarico     | ⑧ Da rubinetto a collettore             |

## IV. Installazione

### Nota:

- Prima dell'installazione è importante verificare le condizioni dell'impianto e assicurarsi che non si siano verificati danni durante il trasporto.
- Disimballare l'impianto e i suoi accessori. Rimuovere il materiale d'imballaggio protettivo. Per l'imballaggio sono stati utilizzati materiali riciclabili, che dovranno essere gettati negli appositi contenitori per la raccolta differenziata oppure consegnati al locale centro di raccolta rifiuti.

**Attenzione: Tenere le buste di plastica lontano dalla portata dei bambini, poiché potrebbero rivelarsi pericolose.**

- Verificare che siano presenti tutti gli elementi secondo la lista d'imballaggio e la panoramica.
- Dal momento che l'impianto è destinato a migliorare la qualità dell'acqua potabile, tutti gli strumenti usati in fase d'installazione devono essere puliti e privi di ruggine o grasso.
- Il processo d'installazione deve essere realizzato in condizioni igieniche adeguate, prendendo tutte le necessarie precauzioni in termini di materiali e componenti a contatto con l'acqua da trattare o da consumare.

Evitare contaminazioni esterne dell'impianto dovute a manipolazione impropria.

Usare guanti o gel disinfettante e lavarsi le mani ogniqualvolta sia necessario durante il processo d'installazione, al primo impiego e in fase di manutenzione dell'impianto.

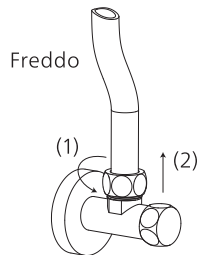
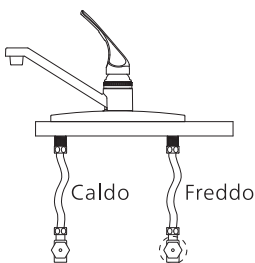
- L'impianto e l'installazione devono essere conformi ai regolamenti locali applicabili.
- This product cannot be disposed of with other domestic waste products.

At the end of the product's service life, it should be returned to the place of purchase, or at a local recycling center. The appropriate collection and treatment of the product, which no longer are to be used, contributes to the preservation of natural resources and avoids any potential public health risks.

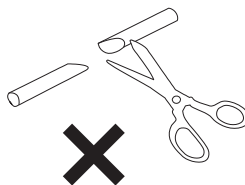
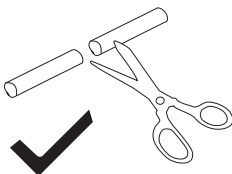


## 1. Installare la valvola a sfera a tre vie

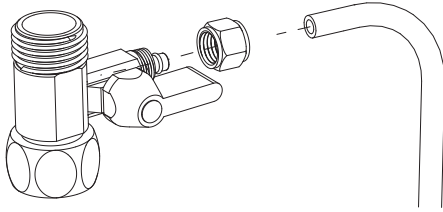
- Chiudere l'afflusso di acqua fredda. Aprire il rubinetto dell'acqua fredda della cucina per rilasciare la pressione e consentire il drenaggio dell'acqua dalla linea. Scollegare il tubo flessibile dell'acqua fredda dalla valvola dell'acqua fredda.



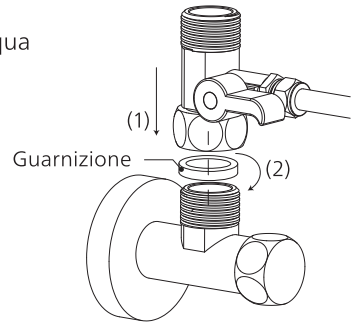
- Misurare la lunghezza del tubo da 1/4" e tagliare al bisogno con l'ausilio di un tagliatubi.



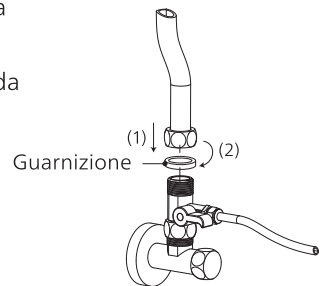
Far scorrere il dado della valvola a sfera a tre vie nel tubo 1/4" PE; e inserire il tubo nell'apertura della valvola a sfera a tre vie. Serrare il dado con una chiave.



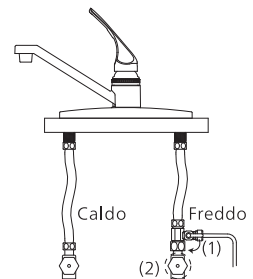
c. Installare la valvola a sfera a tre vie sulla valvola dell'acqua fredda. Non dimenticare di inserire la guarnizione nella valvola a sfera a tre vie durante l'installazione.



d. Connettere il tubo dell'acqua fredda con la valvola a sfera a tre vie e avvitare serrando con una chiave. Non dimenticare la guarnizione nel tubo dell'acqua fredda durante l'installazione.



e. Spegner la valvola a sfera a tre vie. Aprire l'afflusso di acqua fredda. Strofinare ed asciugare le connessioni con un panno per verificare l'eventuale presenza di perdite. Se il panno resta asciutto, vorrà dire che la valvola a sfera a tre vie è stata installata correttamente.



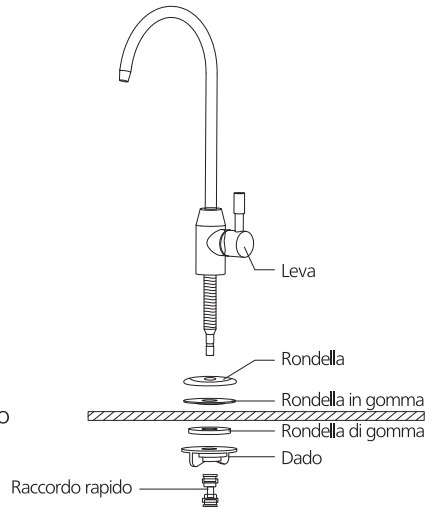
## 2. Installare il rubinetto

### Nota:

Selezionare una posizione d'installazione adeguata. L'ambiente dove è installato il rubinetto deve essere conforme a tutte le condizioni di igiene e sanità previste.

Assicurarsi che il rubinetto sia ben allineato nella parte alta del lavandino o sulla superficie del piano di lavoro.

- a. Eseguire un foro di diametro 25 mm circa.  
Ignorare questo passaggio qualora sia già presente un foro nel lavandino o sulla superficie del piano di lavoro.
- b. Installare il rubinetto secondo lo schema.  
Avvitare il dado dello stelo del rubinetto fino al massimo e serrare bene, per proteggere il rubinetto.
- c. Collegare il cavo del rubinetto al connettore del rubinetto nella parte posteriore dell'impianto e serrare il dado per fissare per bene il cavo.



## 3. Installare il connettore dell'impianto

### Nota:

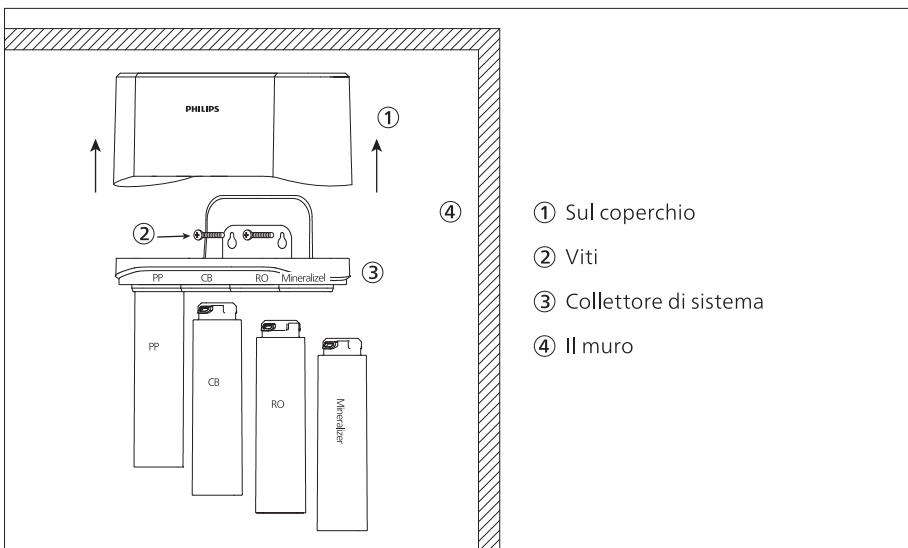
Verificare che vi sia spazio a sufficienza per l'installazione dell'impianto stesso, dei suoi accessori e connessioni, e per le operazioni di assistenza e riparazione. L'impianto non va mai installato in ambienti esterni. L'ambiente dove è installato il rubinetto deve essere conforme a tutte le condizioni di igiene e sanità previste ed applicabili. Evitare infiltrazioni esterne di liquidi da tubi, scarichi, ecc. nell'impianto.

L'impianto va posizionato su una superficie stabile e piana. Tenere l'impianto al riparo dal calore. L'impianto non va mai posizionato in zone a rischio di fughe di gas infiammabili.



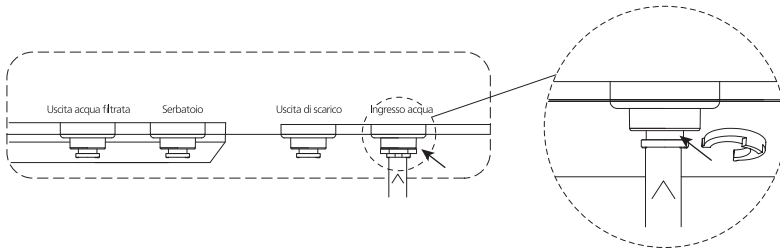
### Montaggio a parete (step opzionale)

- a. Selezionare una zona facilmente accessibile sotto il lavandino per montare il collettore dell'impianto.
- b. Rimuovere il coperchio, contrassegnare i punti dove inserire le viti sul muro per il fissaggio al supporto incorporato sul retro del collettore. Assicurarsi che i fori siano ben a livello. (Nota: Lasciare almeno 40 cm tra i fori e il pavimento al fine di lasciare uno spazio piuttosto ampio per le operazioni di sostituzione del filtro)
- c. Trapanare 2 fori pilota per i supporti di montaggio, con punta da 1/4" per il collettore dell'impianto.  
Note: Non eseguire buchi da nessuna parte oltre la parete dell'armadietto.
- d. Inserire la vite ad espansione e le viti di fissaggio nella parete lasciando circa 3/8" di ciascuna vite esposti.
- e. Montare il collettore sulla parete assicurandosi che sia ben saldo e fissato.  
A questo punto portare giù il collettore.
- f. Rimuovere l'imballaggio delle cartucce del filtro, inserirle nel collettore secondo l'ordine previsto e girarle in senso orario per fissare correttamente in sede.



#### 4. Collegare l'entrata dell'acqua e la valvola sferica a tre vie

Inserire l'altra estremità del tubo 1/4" (a sua volta già connesso alla valvola sferica a tre vie nel foro di ingresso acqua nella parte posteriore dell'impianto). Servirsi di un fermo per fissare il tubo al buco.

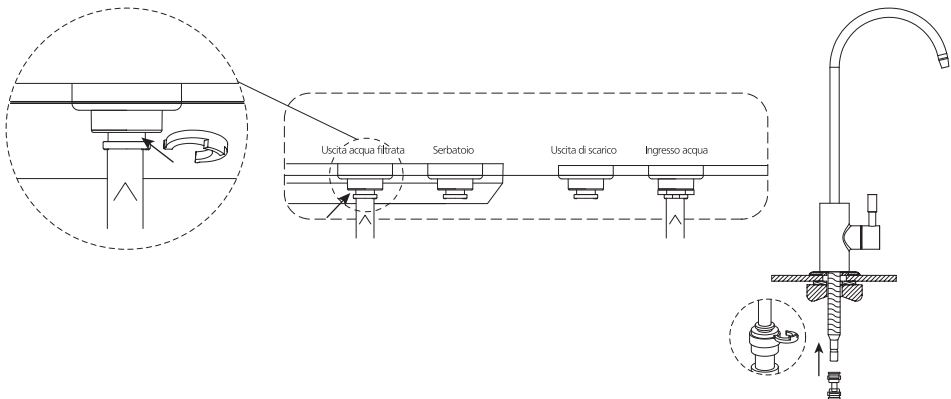


Note: La pressione in ingresso dell'acqua deve essere compresa tra 0,3 e 0,7 MPa.

Se la pressione è troppo bassa, bisognerà installare un gruppo di pressione a monte del sistema. Se la pressione è troppo alta, bisognerà installare una valvola di scarico della pressione a monte del sistema.

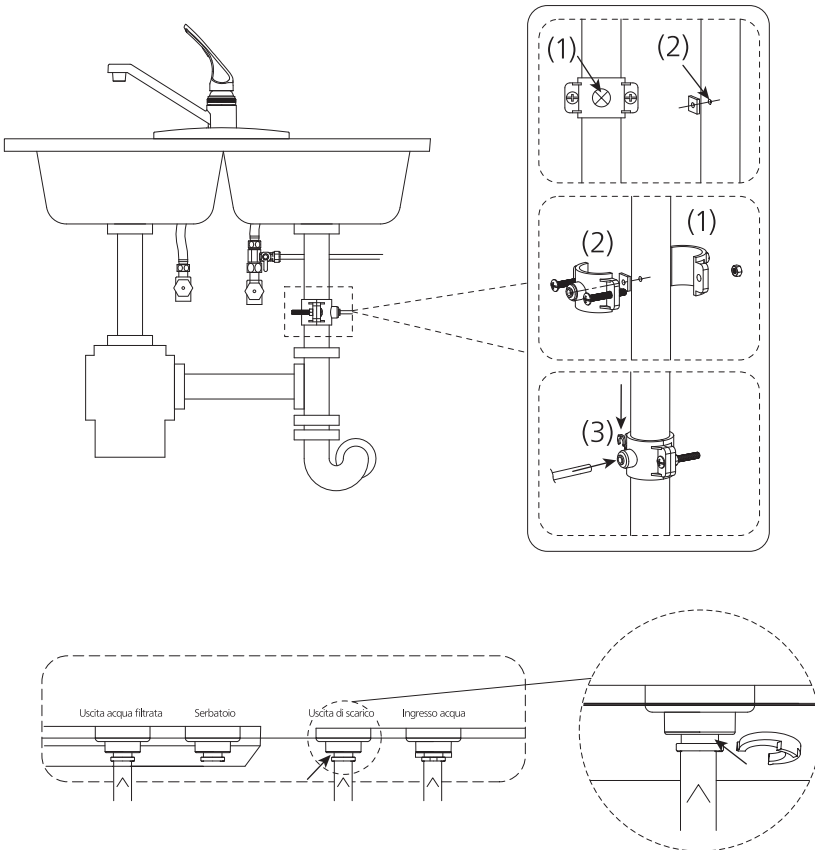
#### 5. Collegare l'uscita dell'acqua e il rubinetto

Una volta misurata la lunghezza del tubo 1/4" sarà necessario collegare l'impianto e il rubinetto. Tagliare il tubo 1/4" con apposito tagliatubi. Inserire una estremità del tubo in un raccordo connessione rapida. Connettere il raccordo connessione rapida allo stelo del rubinetto. Inserire l'altra estremità del tubo 1/4" nel foro dell'uscita dell'acqua filtrata, nella parte posteriore dell'impianto – a battuta. Servirsi di un fermo per fissare il tubo al buco.



## 6. Collegare l'uscita dell'acqua di scarico e il connettore di scarico

Identificare l'ubicazione esatta dell'uscita di scarico. Realizzare un foro da 6,5 mm sul tubo di scarico. Installare il connettore di scarico secondo lo schema. Serrare correttamente i dadi. Tagliare una sezione del tubo 1/4". Inserire una estremità del tubo nel foro dell'uscita di scarico, nella parte posteriore dell'impianto – a battuta. Servirsi di un fermo per fissare il tubo al buco. Inserire l'altra estremità del tubo nel connettore di scarico.



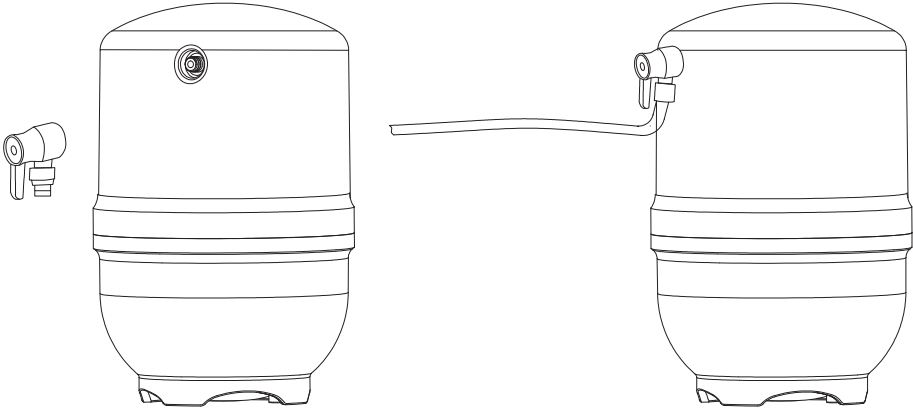
Note: La pressione in ingresso dell'acqua deve essere compresa tra 0,3 e 0,7 MPa.

Se la pressione è troppo bassa, bisognerà installare un gruppo di pressione a monte del sistema. Se la pressione è troppo alta, bisognerà installare una valvola di scarico della pressione a monte del sistema.

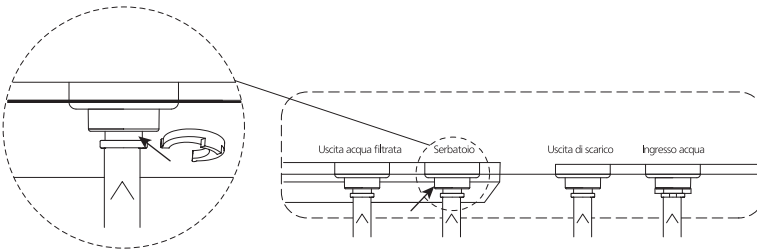
## 7. Collegare il serbatoio dell'acqua all'impianto

Installare la valvola sferica del serbatoio dell'acqua sul serbatoio dell'acqua stesso, girandola in senso orario.

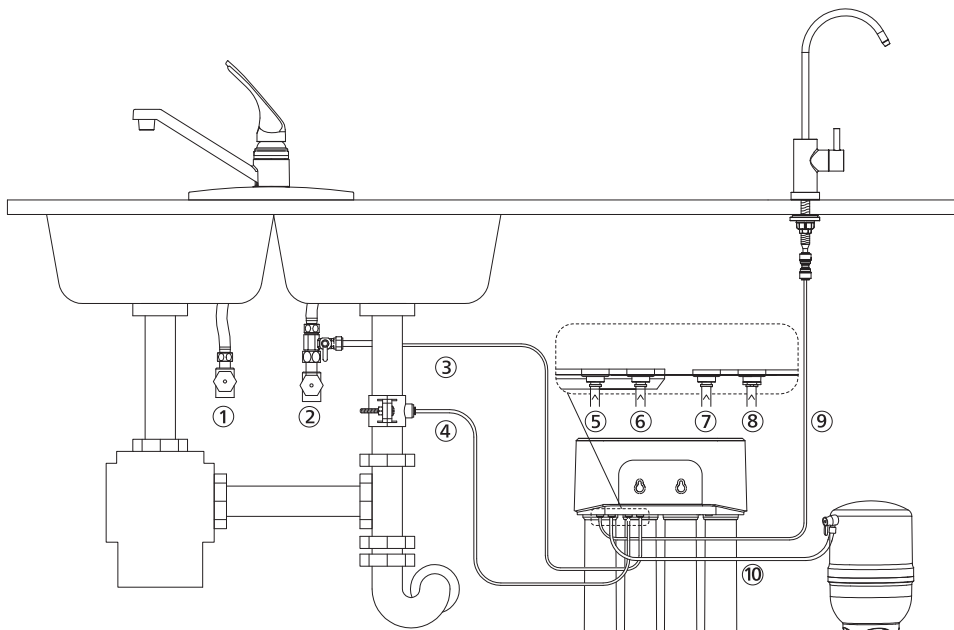
Tagliare una sezione del tubo 1/4". Inserire una estremità del tubo nella valvola sferica del serbatoio dell'acqua. Inserire l'altra estremità del tubo nel connettore del serbatoio dell'acqua, nella parte posteriore dell'impianto – a battuta.



## 8. Verificare che l'impianto sia correttamente installato e aprire la valvola sferica a tre vie



Posizionare il collettore e il serbatoio dell'acqua in una zona adeguata, come segue. Quindi installare il coperchio del collettore.



- |                              |                                       |
|------------------------------|---------------------------------------|
| ① Caldo                      | ⑥ Serbatoio                           |
| ② Freddo                     | ⑦ Uscita di scarico                   |
| ③ Tubo d'ingresso dell'acqua | ⑧ Ingresso acqua                      |
| ④ Tubo di scarico dell'acqua | ⑨ Rubinetto                           |
| ⑤ Uscita acqua filtrata      | ⑩ Connettore del serbatoio dell'acqua |

## V. Utilizzo dell'impianto

### 1. Prima del primo impiego

- a. Chiudere la valvola sferica del serbatoio dell'acqua e chiudere il rubinetto.
- b. Verificare eventuali perdite su ogni connessione.
- c. Seguire le istruzioni per il corretto risciacquo.

Risciacquare i filtri:

- Chiudere la valvola sferica del serbatoio dell'acqua. Aprire il rubinetto e far fluire l'acqua lungo l'impianto per circa 30 minuti.

Risciacquare il serbatoio dell'acqua

- Chiudere il rubinetto. Aprire la valvola sferica del serbatoio dell'acqua e lasciare che si riempia d'acqua. Ci vorranno circa 1 o 2 ore, a seconda della pressione dell'acqua in ingresso. Una volta che il serbatoio dell'acqua si sarà riempito, l'impianto cesserà di filtrare l'acqua.
- Aprire il rubinetto e svuotare il serbatoio dell'acqua, per scaricare l'acqua. Una volta che il serbatoio si sarà svuotato, aprire il rubinetto e il serbatoio dell'acqua si riempirà di nuovo.
- Ripetere gli step sopra menzionati per 2 volte.

A questo punto l'impianto è pronto per l'uso.

Note:

La velocità di flusso sarà minore rispetto al vostro rubinetto della cucina. L'acqua scorrerà verso lo scarico, mentre l'impianto con filtro RO filtra l'acqua – anche quando non è in uso. È del tutto normale. L'acqua diretta allo scarico si arresta automaticamente quando il serbatoio dell'acqua dell'acqua si riempie al massimo della propria capacità.

## VI. Manutenzione

### 1. RManutenzione ordinaria

- Per la pulizia della custodia del dispositivo non utilizzare solventi organici come benzina, ecc. Se si rende necessario eseguire operazioni di pulizia, strofinare delicatamente la superficie del prodotto con un panno umido, dopo aver disconnesso l'alimentazione elettrica.
- Se l'impianto non è utilizzato per più di 2 giorni, aprire il rubinetto per più di 5 minuti e mezza per consentire il risciacquo dell'impianto.

- Se l'impianto non è utilizzato per periodi prolungati, estrarre le cartucce del filtro, avvolgerle in una pellicola plastica e conservarle in frigorifero (non nel congelatore). Chiudere la valvola sferica del serbatoio dell'acqua, aprire il rubinetto per svuotare il serbatoio dell'acqua e infine chiudere la valvola sferica del serbatoio dell'acqua. Prima di riutilizzare l'impianto, eseguire di nuovo lo step "c" e lo step "e" di cui al capitolo V.

## 2. Vita utile filtro

### Nota

Al fine di garantire le migliori prestazioni, sostituire la cartuccia del filtro secondo le indicazioni della spia vita utile filtro o in base al ciclo di sostituzione filtro come suggerito qui di seguito. Se si osserva un flusso decisamente ridotto, consigliamo di sostituire anche i filtri.

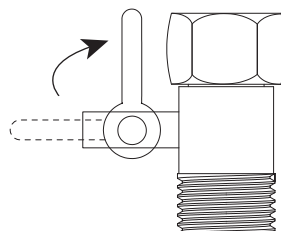
**L'impianto funziona unicamente con filtri Philips.**

Filtro	Vita utile filtro
Filtro PP	6-12 mesi*
Filtro CB	6-12 mesi*
Filtro RO	24-36 mesi*
Mineralizzatore	6-12 mesi*

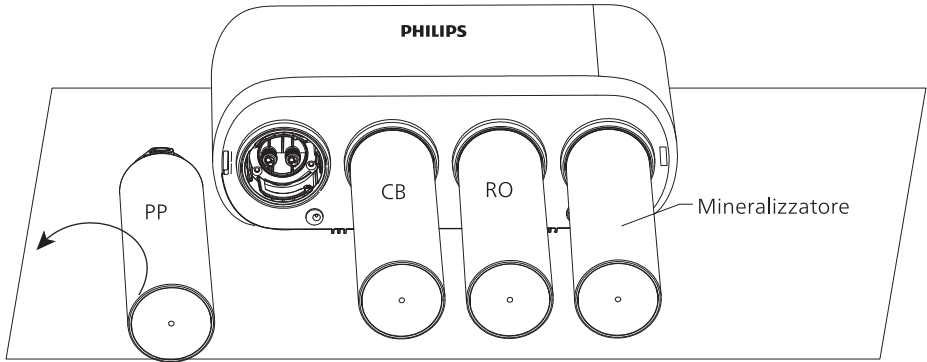
\* La vita utile reale della cartuccia del filtro dipende dalla qualità dell'acqua di rubinetto e dall'uso quotidiano. Il ciclo di sostituzione consigliato è una media basata su diverse qualità di acque locali di rubinetto. Se la qualità dell'acqua di rubinetto concreta è al di sotto della media, la vita utile reale della cartuccia sarà differente rispetto al ciclo di sostituzione consigliato. Se la cartuccia del filtro è bloccata, si prega di sostituirla.

## 3. Sostituzione della cartuccia del filtro

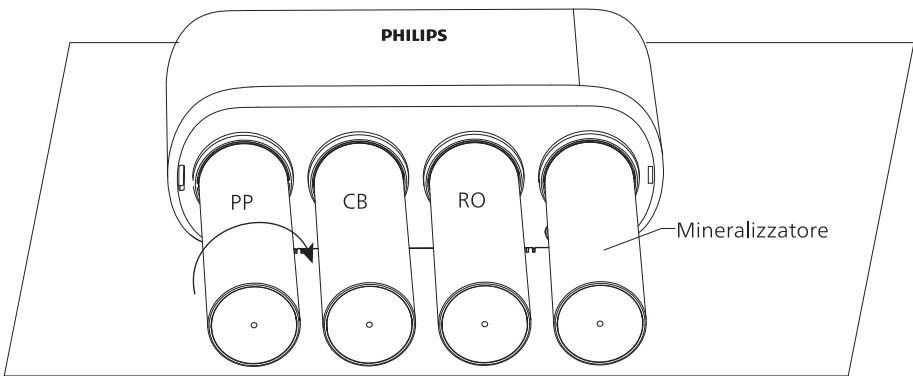
- Chiudere la valvola sferica a tre vie e la valvola sferica del serbatoio dell'acqua.



- b. Aprire il rubinetto per rilasciare la pressione.
- c. Girare in senso antiorario il filtro da sostituire ed estrarlo.



- d. Disimballare il nuovo filtro, inserire la cartuccia nell'impianto e girarla in senso orario stringendola bene.



- e. Aprire la valvola sferica a tre vie e il rubinetto. Lasciar scorrere l'acqua per 1 ora e mezza, in modo da risciacquare bene i nuovi filtri.
- f. Chiudere il rubinetto e aprire la valvola sferica del serbatoio dell'acqua, per riempire il serbatoio dell'acqua. A questo punto l'impianto è pronto per l'uso.



## VII. Precauzioni

### 1. Attenzione

- Il prodotto NON agisce da depuratore d'acqua. Come fonte di acqua utilizzare sempre acqua di rubinetto. Non utilizzare acqua microbiologicamente poco sicura o di qualità sconosciuta senza adeguata disinfezione a monte o a valle del sistema.
- L'impianto non è destinato all'impiego da parte di persone (compresi bambini) con ridotte capacità sensoriali o mentali o con scarse esperienze e conoscenze, a meno che esse non siano sotto la supervisione o abbiano ricevuto istruzioni da parte di persone responsabili per la loro incolumità in relazione all'uso del dispositivo. I bambini vanno tenuti sotto controllo, al fine di assicurarsi che non giochino con l'impianto.
- Accertarsi di maneggiare delicatamente e con attenzione il sistema. Non tentare di modificare o riparare il sistema da soli, pena la decadenza della garanzia.
- Il dispositivo è destinato unicamente all'uso in ambiente domestico.
- La temperatura dell'acqua in ingresso deve essere compresa nel range 5 - 38°C. Se la temperatura dell'acqua in ingresso eccede i 38°C, potrebbero verificarsi danni al filtro, che verrebbe ad essere inutilizzabile. Se la temperatura dell'acqua in ingresso è inferiore a 5°C, potrebbe verificarsi il congelamento e la rottura di componenti dell'impianto, con conseguenti perdite di acqua.
- Non invertire l'ordine di installazione delle cartucce del filtro, per evitare di compromettere le prestazioni del filtro e dell'impianto in sé.
- Se l'impianto presenta anomalie o guasti, smettere immediatamente di utilizzarlo. Chiudere la valvola ingresso aria e aprire il rubinetto per svuotare l'impianto. Tra le possibili situazioni di guasto figurano:
  - Perdite
  - Cricche o danni al prodotto
  - Si sente un suono o rumore anomalo
  - Mancato funzionamento del dispositivoContattare immediatamente il reparto assistenza clienti per prenotare un'ispezione.
- Se si prevede di non utilizzare l'impianto per un periodo di tempo prolungato, arrestare l'alimentazione acqua e chiudere il rubinetto, in modo da rilasciare la pressione interna ed evitare danni all'impianto.

## VIII. Risoluzione dei problemi

Problema	Possibile causa	Soluzione
Si sono verificate perdite.	I componenti sono danneggiati.	Chiudere la valvola sferica a tre vie e contattare l'assistenza consumatori.
	I tubi o i filtri non sono connessi correttamente.	Verificare la presenza e la posizione dei filtri e il corretto serraggio dei tubi.
Non esce acqua dal rubinetto.	Mancata accensione della valvola dell'acqua fredda o della valvola sferica a tre vie.	Aprire la valvola per testare di nuovo.
La velocità di flusso subisce rallentamenti.	I tubi sono attorcigliati o piegati in modo da causare inconvenienti.	Verificare tutti gli altri tubi dell'acqua (compreso il tubo dell'acqua in ingresso, il tubo dell'acqua di scarico, il tubo dell'acqua pura e il tubo del serbatoio dell'acqua) assicurandosi che l'acqua possa scorrere liberamente attraverso i tubi.
	La valvola sferica a tre vie non è aperta completamente.	Assicurarsi che la valvola dell'acqua fredda sia aperta completamente.
	Il filtro è intasato.	Sostituire con un nuovo filtro o contattare l'assistenza consumatori.
	La pressione dell'acqua in ingresso è bassa.	Attendere che la pressione dell'acqua in ingresso si stabilizzi oppure installare un gruppo di pressione a monte del sistema, se la pressione dell'acqua in ingresso è costantemente al di sotto di 0,3 MPa.
Non scorre acqua verso lo scarico.	Il tubo dell'acqua di scarico è attorcigliato oppure il filtro RO è danneggiato.	Sostituire il tubo dell'acqua di scarico o il filtro RO. Contattare l'assistenza consumatori, se necessario.
Scarsa qualità dell'acqua in uscita.	Il filtro è giunto al termine della propria vita utile.	Sostituire il filtro.

Scarsa qualità dell'acqua in uscita.	L'impianto non è stato usato da diverso tempo.	Vedi manutenzione di routine al capitolo VI.
	Scarsa qualità dell'acqua in ingresso.	Come fonte di acqua utilizzare sempre acqua comunale di rubinetto. Non usare acqua microbiologicamente poco sicura o di qualità sconosciuta e senza adeguata disinfezione né a monte né a valle dell'impianto. Installare un pre-filtro a monte del sistema, se la qualità dell'acqua in ingresso è costantemente scarsa.

## IX. Garanzia e assistenza

Per ulteriori informazioni o in caso di problemi di qualsiasi genere, si rimanda al sito web [www.philips.com](http://www.philips.com) o si prega di contattare il centro assistenza clienti nel paese di riferimento. Se nel vostro paese non sono a disposizione centri assistenza clienti, rivolgersi ad un locale agente Philips. Nell'arco di due anni dalla data di acquisto, riceverete assistenza gratuita in garanzia per ogni e qualsiasi danno imputabile al processo di produzione o a malfunzionamento di componenti durante le normali operazioni, a seguito di debita conferma da parte del nostro servizio manutenzione. L'assistenza in garanzia non comprende i componenti e materiali di consumo soggetti a sostituzione frequente, dispositivi ausiliari, commissioni di trasporto e servizio porta a porta. In caso di manutenzione si prega di esibire la ricevuta dell'acquisto al personale di servizio.

## X. Contenuto della confezione

Collettore impianto	1X
PP Filter	1X
Filtro CB	1X
Membrana osmosi inversa	1X
Mineralizzatore	1X
Serbatoio dell'acqua	1X
Valvola sferica del serbatoio dell'acqua	1X
Valvola sferica a tre vie	1X
Tubazione PE 1/4"	1X
Vite	2X
Vite a espansione	2X
Rubinetto e accessori	1X
Manuale utente	1X
Fermo	7X
Connettore di scarico	1X
Raccordo connessione rapida	1X
Anello 1/4" (Pezzo di ricambio)	2X

# Содержание

---

I. Знакомство с продуктом	76
---------------------------	----

---

II. Спецификация продукта	76
---------------------------	----

---

III. Краткое описание продукта и иллюстрация установки	77
--	----

---

IV. Установка	78
Установите трехходовой шаровой кран	79
Установите смеситель	81
Установите системный коллектор	81
Соедините выпускное отверстие для воды и трехходовой шаровой кран	82
Соедините выпускное отверстие для воды и смеситель	23
Соедините выпускное отверстие для слива воды и сливной патрубок	83
Подсоедините резервуар для воды к системе	84
Убедитесь, что система установлена правильно, и включите трехходовой шаровой кран	85

---

V. Использование системы	87
Перед первым использованием	87

---

---

VI. Техническое обслуживание	88
Регулярное техническое обслуживание	88
Срок службы фильтра	89
Замена фильтрующего картриджа	89

---

VII. Меры предосторожности	89
Предупреждение	89

---

VIII. Выявление неисправностей	91
--------------------------------	----

---

IX. Гарантия и техническое обслуживание	92
---	----

---

X. Упаковочный лист	93
---------------------	----

---



Чтобы получить информацию на других языках отсканируйте QR -код

# I. Знакомство с продуктом

Поздравляем с покупкой и добро пожаловать в Philips! Мембрана обратного осмоса имеет глубокий уровень фильтрации вплоть до 0,0001 микрон, что эффективно устраняет вирусы, бактерии, тяжелые металлы, пестициды, жесткость воды, летучие органические соединения, хлор и многое другое, обеспечивая отличный вкус воды. \*Конструкция фильтра QuickTwist позволяет заменять картриджи фильтра без лишних усилий.

Перед использованием устройства внимательно прочтите данное руководство пользователя. Сохраните его для обращения к нему в дальнейшем.

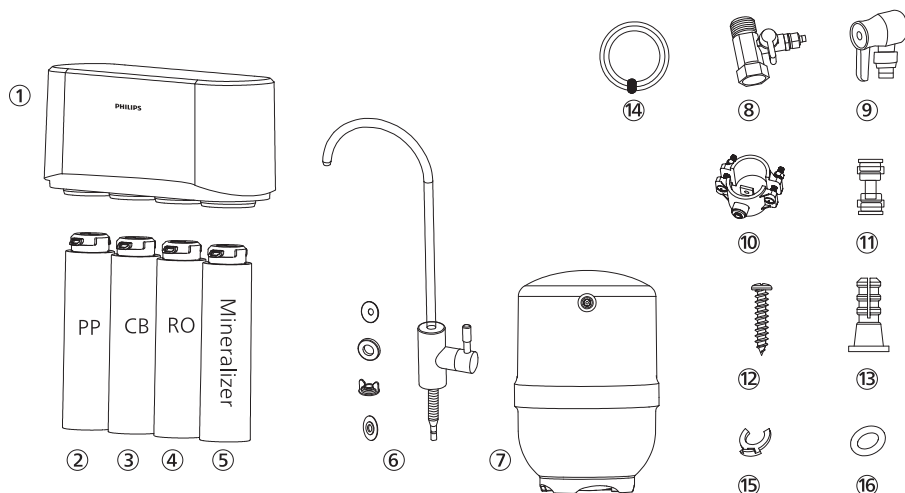
\* Вещества, которые устраняет или количество которых сокращает эта система, не обязательно присутствуют во всей воде пользователя.

# II. Спецификация продукта

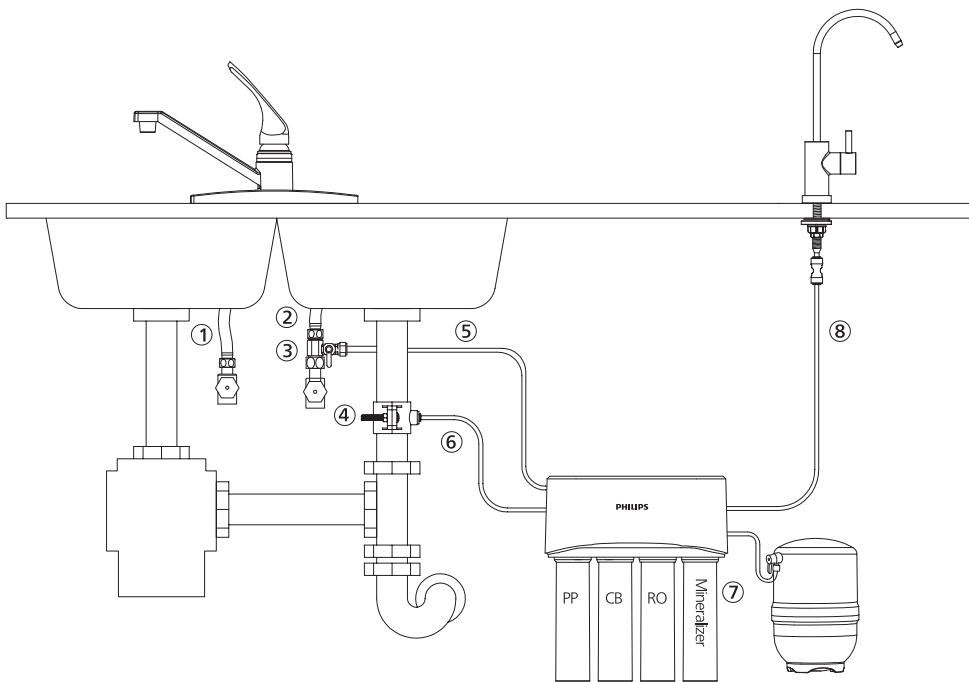
Наименование продукта	Система фильтрации с обратным осмосом Philips для установки под раковиной
Модель продукта	AUT3268
Расход фильтрованной воды	0.19L/min
Фильтрующая способность	PP-фильтр/СВ-фильтр/Минерализатор: 6-12 месяцев Фильтр обратного осмоса: 24-36 месяцев
Номинальное напряжение	0.3-0.7 МПа**
Давление воды на входе	11L
Температура воды на входе	5°C-38°C
Максимальный уровень TDS воды на входе	1500 ppm***
Максимальная жесткость воды на входе	15 °НФ***
Пригодный источник воды	Муниципальная водопроводная вода, соответствующая всем требованиям Европейской директивы 98/83 о качестве воды, предназначенной для потребления людьми, и ее национальным транспонированиям в различных странах-членах ЕС.

- \*\* Если давление воды на входе превышает 0,7 МПа, перед системой следует установить клапан избыточного давления. Если давление воды на входе ниже 0,3 МПа, перед системой следует установить усилитель давления. Клапан избыточного давления и усилитель давления необходимо приобретать отдельно.
- \*\*\* Если TDS Общее количество растворенных твердых веществ воды на входе превышает 1500 ppm или жесткость превышает 15° НН, это может оказать влияние на срок службы фильтров. Пожалуйста, проконсультируйтесь со своим дилером по поводу установки фильтров предварительной очистки перед системой.

### III. Краткое описание продукта и иллюстрация установки



- |                            |                                   |
|----------------------------|-----------------------------------|
| ① Системный коллектор      | ⑨ Переходник для резервуара       |
| ② PP-фильтр                | ⑩ Сливной патрубков               |
| ③ CB-фильтр                | ⑪ Фитинг быстрого соединения 1/4" |
| ④ Фильтр обратного осмоса  | ⑫ Винты                           |
| ⑤ Минерализатор            | ⑬ Установочный винт               |
| ⑥ Смеситель и аксессуары   | ⑭ 1/4" РЕ шнур                    |
| ⑦ Резервуар для воды       | ⑮ Зажим для шнура 1/4"            |
| ⑧ трехходовой шаровой кран | ⑯ Уплотнительное кольцо           |



- |                            |  |
|----------------------------|--|
| ① Горячая                  | ⑤ Впускное отверстие для холодной воды в коллектор |
| ② Холодная                 | ⑥ Сливное отверстие к коллектору                   |
| ③ Трехходовой шаровой кран | ⑦ Резервуар для воды к коллектору                  |
| ④ Сливной патрубок         | ⑧ Смеситель к коллектору                           |

## IV. Установка

### Примечание:

- Распакуйте систему и ее аксессуары. Удалите защитный упаковочный материал. Для упаковки использовались перерабатываемые материалы, которые следует утилизировать в соответствующих мусорных баках или в специальном местном центре по переработке отходов.

**Предупреждение: Храните полиэтиленовые пакеты в недоступном для детей месте, так как они могут представлять опасность.**

- Проверьте, нет ли отсутствующих деталей в соответствии с упаковочным листом и кратким описанием.

- С учетом того, что система предназначена для улучшения качества питьевой воды, все инструменты, которые будут использоваться в процессе установки, должны быть чистыми, обезжиренными и без ржавчины.

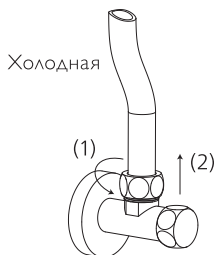
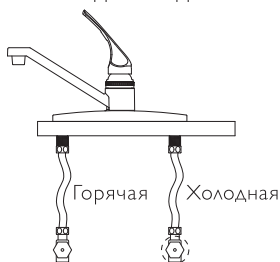


- Процесс установки должен осуществляться при соответствующих гигиенических условиях, с соблюдением всех необходимых мер предосторожности в отношении материалов и компонентов, которые будут контактировать с водой, предназначенной для обработки и потребления.
- Не допускайте внешнего загрязнения системы из-за неправильного обращения — используйте перчатки и дезинфицирующие гели, а также мойте руки так часто, как это необходимо во время процесса установки, первого использования и обслуживания системы.
- Система и установка должны соответствовать действующим местным нормам.
- Это изделие нельзя утилизировать вместе с другими хозяйственно-бытовыми отходами. По истечении срока службы изделия его следует вернуть по месту покупки или в местный центр переработки отходов, указав, что он содержит электрические и электронные компоненты. Соответствующий прием и утилизация изделия, которое больше не будет использоваться, способствует сохранению природных ресурсов и предотвращает любые потенциальные риски для здоровья населения.

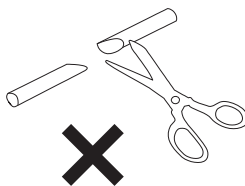
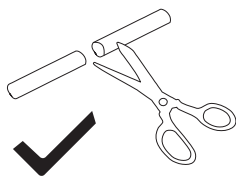


## 1. Установите трехходовой шаровой кран

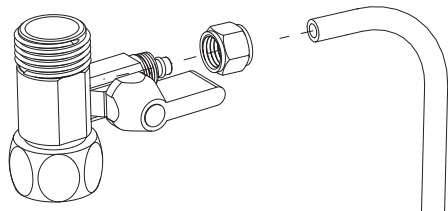
- а. Отключите подачу холодной воды. Включите смеситель для холодной воды на кухне, чтобы сбросить давление и слить остатки воды. Отсоедините шланг холодной воды от клапана холодной воды.



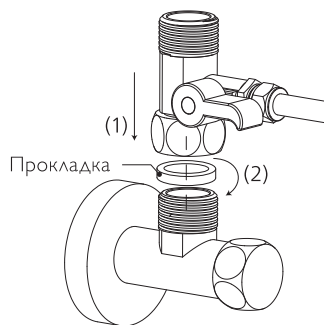
- б. Измерьте длину трубы 1/4" и обрежьте ее труборезом соответствующим образом.



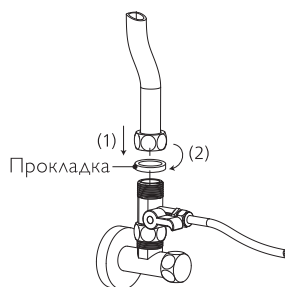
Наденьте гайку трехходового шарового крана на полиэтиленовую трубу 1/4" (6,35 мм) и вставьте трубу в отверстие трехходового шарового крана. Затяните гайку гаечным ключом.



с. Установите трехходовой шаровый кран на смеситель холодной воды. Пожалуйста, во время установки не забудьте про уплотняющую прокладку внутри трехходового шарового крана.

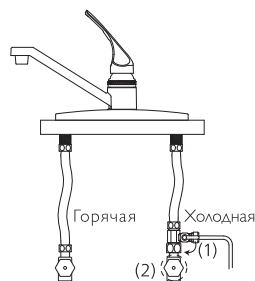


д. Соедините шланг холодной воды с трехходовым шаровым краном и плотно закрутите гаечным ключом. Пожалуйста, во время установки не забудьте про уплотняющую прокладку в шланге для холодной воды.



е. Выключите трехходовой шаровый кран.

Включите подачу холодной воды. Протрите места соединения салфеткой, чтобы проверить, нет ли протечки. Если салфетка останется сухой, это значит, что трехходовой шаровый кран установлен правильно.



## 2. Установите смеситель

### Примечание:

Выберите подходящее место для установки. В помещении, где установлен смеситель, должны соблюдаться все соответствующие гигиенические и санитарные нормы. Убедитесь, что смеситель стоит ровно на поверхности раковины или столешницы.

- a. Просверлите отверстие диаметром около 25 мм.  
Пропустите этот шаг, если в поверхности раковины или столешницы уже есть отверстие.
- b. Установите смеситель согласно схеме. Закрутите гайку штока смесителя до упора вверх по штоку смесителя и затяните ее, чтобы зафиксировать смеситель.
- c. Подсоедините шланг для смесителя к переходнику для смесителя в задней части системы и затяните гайку, чтобы зафиксировать шланг.



## 3. Установите системный коллектор

### Примечание:

Пожалуйста, проверьте, достаточно ли места для установки самой системы, ее аксессуаров и соединений, а также для обслуживания и ремонта. Ни при каких обстоятельствах нельзя устанавливать систему на открытом воздухе. Помещение, где установлена система, должно соответствовать всем надлежащим гигиеническим и санитарным нормам.

Следите, чтобы внешняя капаящая жидкость из труб, водостока и подобного не попадала на систему. Данную систему следует разместить на устойчивой и ровной поверхности. Храните систему вдали от источников тепла. Ее нельзя размещать в местах, где возможна утечка горючего газа.

### Настенный монтаж (необязательный шаг)

- a. Выберите легкодоступное место под раковиной для монтажа системного коллектора.
- b. Снимите корпус, отметьте положение на стене для крепежных винтов с помощью встроенного кронштейна на задней части коллектора. Убедитесь, чтобы отверстия располагались как можно ровнее. (Примечание: расстояние от отверстий до пола должно быть не менее 40 см, чтобы оставалось достаточно места для замены фильтра)

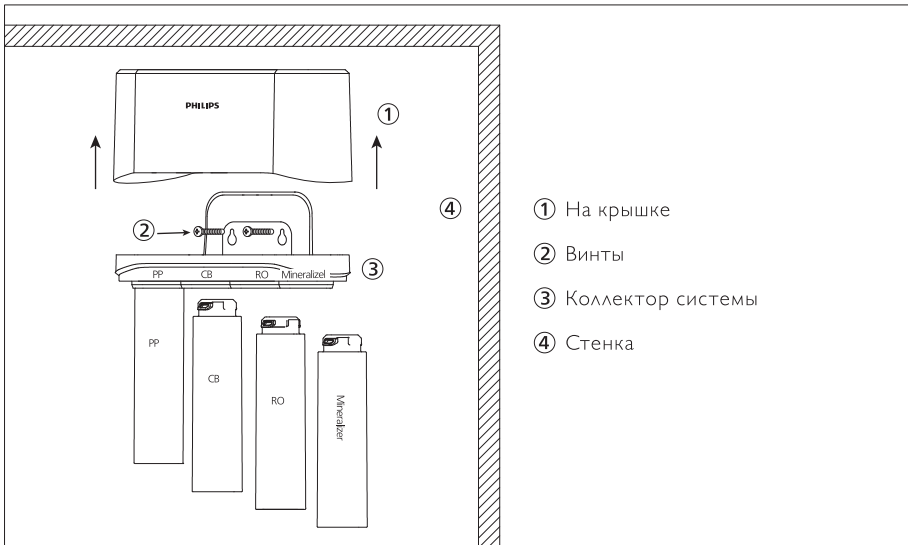
с. Просверлите 2 направляющих отверстия для крепежных кронштейнов, используя буровой наконечник 1/4", для системного коллектора.

Примечание: Не просверливайте ничего за стенкой шкафа.

d. Вставьте установочные и крепежные винты в стену, оставив снаружи примерно 3/8" каждого винта.

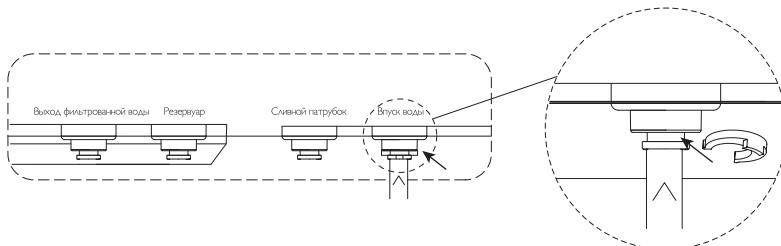
e. Закрепите коллектор на стене, чтобы убедиться, что он встает должным образом. Затем снимите коллектор.

f. Распакуйте фильтрующие картриджи, вставьте их в коллектор согласно последовательности и поверните по часовой стрелке, чтобы зафиксировать их на месте.



#### 4. Соедините впускное отверстие для воды и трехходовой шаровой кран

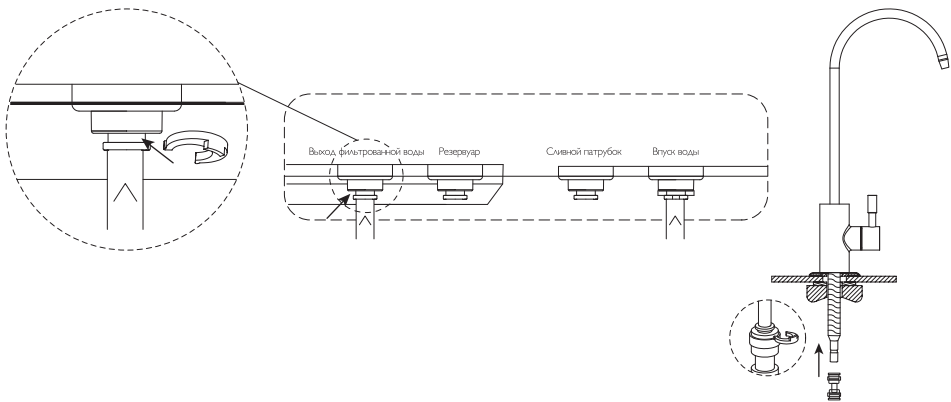
Вставьте другой конец трубы 1/4", которая была соединена с трехходовым шаровым краном, во впускное отверстие для воды в задней части системы. Используйте зажим, чтобы закрепить трубу в отверстии.



Примечание: Давление воды на входе должно быть в пределах 0,3-0,7 МПа. Если давление слишком низкое, перед системой следует установить усилитель давления. Если давление слишком высокое, перед системой следует установить клапан избыточного давления.

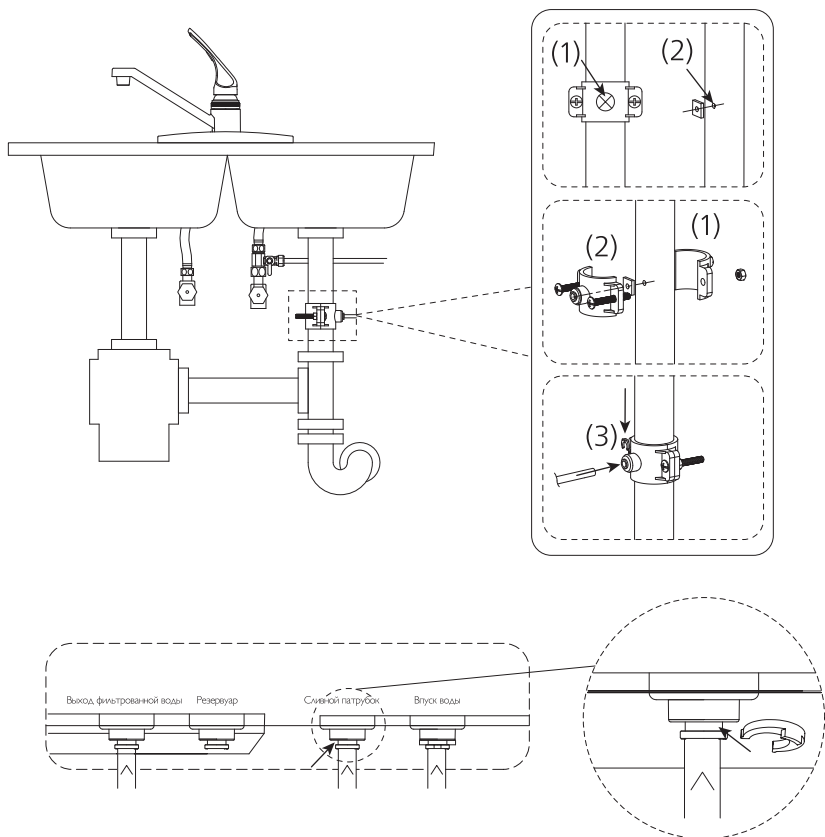
## 5. Соедините выпускное отверстие для воды и смеситель

После измерения длины трубы 1/4", необходимой для соединения системы и смесителя, обрежьте трубу 1/4" труборезом. Вставьте один конец трубы в фитинг быстрого соединения и подсоедините фитинг быстрого соединения к штоку смесителя. Вставьте другой конец трубы 1/4" в выпускное отверстие для фильтрованной воды в задней части системы до упора. Используйте зажим, чтобы закрепить трубу в отверстии.



## 6. Соедините выпускное отверстие для слива воды и сливной патрубок

Определите расположение выпускного отверстия. Просверлите отверстие диаметром 6,5 мм в сливной трубе. Установите сливной патрубок согласно схеме. Плотнo затяните гайки. Отрежьте часть трубы 1/4". Вставьте один конец трубы в сливное отверстие в задней части системы до упора. Используйте зажим, чтобы закрепить трубу в отверстии. Вставьте другой конец трубы в сливной патрубок.

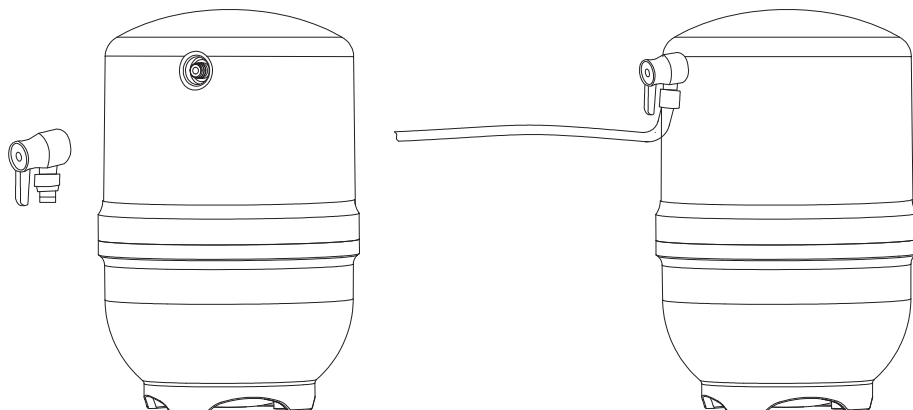


Примечание: Давление воды на входе должно быть в пределах 0,3-0,7 МПа. Если давление слишком низкое, перед системой следует установить усилитель давления. Если давление слишком высокое, перед системой следует установить клапан избыточного давления.

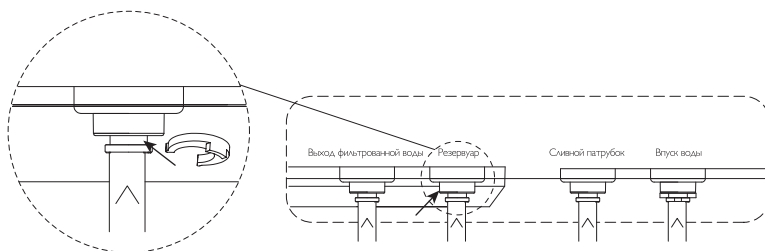
## 7. Подсоедините резервуар для воды к системе

Установите шаровый кран резервуара для воды на резервуар для воды, повернув его по часовой стрелке.

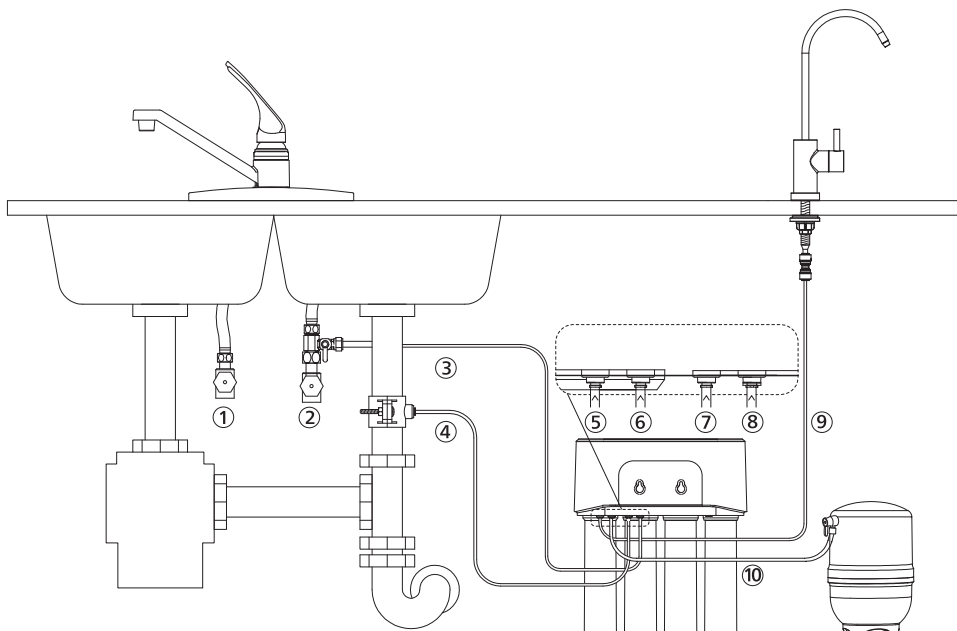
Отрежьте часть трубы 1/4". Вставьте один конец трубы в шаровой кран резервуара для воды, а другой конец трубы вставьте в переходник для резервуара для воды в задней части системы до упора.



**8. Убедитесь, что система установлена правильно, и включите трехходовой шаровой кран**



Разместите коллектор и резервуар для воды в надлежащем месте, как показано ниже. Затем установите корпус на коллектор.



- |                            |                                   |
|----------------------------|-----------------------------------|
| ① Горячая                  | ⑥ Резервуар                       |
| ② Холодная                 | ⑦ Сливной патрубков               |
| ③ Водозаборная труба       | ⑧ Впуск воды                      |
| ④ Труба сливного патрубков | ⑨ Смеситель                       |
| ⑤ Выход фильтрованной воды | ⑩ Соединитель резервуара для воды |



## V. Использование системы

### 1. Перед первым использованием

- a. Закройте шаровой кран резервуара для воды и откройте смеситель.
- b. Проверьте все соединения — нет ли протечки.
- c. Следуйте инструкциям по тщательной промывке.

Промойте фильтры:

- Закройте шаровой кран резервуара для воды. Откройте смеситель, чтобы вода протекала через систему в течение 30 минут.

Промойте резервуар для воды

- Закройте смеситель. Включите шаровой кран резервуара для воды и наполните его водой. Это займет 1-2 часа в зависимости от давления воды на входе. Как только резервуар для воды заполнится, система перестанет фильтровать воду.
- Включите смеситель и опустошите резервуар, чтобы смыть воду. Когда он опустеет, закройте смеситель, и резервуар для воды снова наполнится.
- Повторите вышеуказанные шаги 2 раза.

Теперь система готова к использованию.

Примечание:

Скорость потока будет меньше, чем у кухонного смесителя. Вода будет стекать в слив, пока система фильтров обратного осмоса фильтрует воду — даже когда она не используется.

Это нормально. Слив воды автоматически прекратится, когда резервуар для воды заполнится до установленного уровня.

## VI. Инструкция по применению

### 1. Перед первым использованием

- Протрите все стыки и места соединения салфеткой, чтобы проверить, нет ли протечки. Если салфетка останется сухой, это значит, что система установлена правильно.
- Если система не использовалась более 2 дней, включите смеситель на более 5 минут, чтобы промыть систему.
- Если система не будет использоваться в течение длительного периода времени, достаньте фильтрующие картриджи, поместите их в герметичные пластиковые пакеты и храните в холодильнике (не в морозильной камере). Выключите трехходовой шаровой кран, включите смеситель, чтобы опустошить резервуар для воды, и выключите шаровой кран резервуара для воды. Перед повторным использованием повторите шаг c и шаг e из главы V.

## 2. Срок службы фильтра

### Примечание

Для лучшей производительности меняйте фильтрующий картридж в соответствии с индикатором срока службы фильтра или циклом замены фильтра, предложенным ниже. Если наблюдается значительно сниженная скорость потока, мы рекомендуем также заменить фильтры.

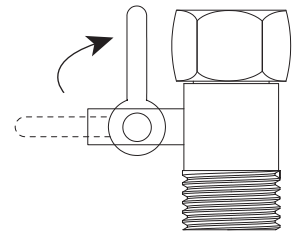
Эта система может работать только с фильтрами Philips.

Фильтр	Срок службы фильтра
PP-фильтр	6-12 месяцев*
СВ-фильтр	6-12 месяцев*
Фильтр обратного осмоса	24-36 месяцев*
Минерализатор	6-12 месяцев*

\* Фактический срок службы фильтрующего картриджа зависит от качества местной водопроводной воды и ежедневного использования. Рекомендуемый цикл замены — это среднее значение, основанное на различном местном качестве водопроводной воды. Если качество местной водопроводной воды ниже среднего значения, фактический срок службы картриджа будет отличаться от рекомендуемого цикла замены. Если фильтрующий картридж засорится, замените его.

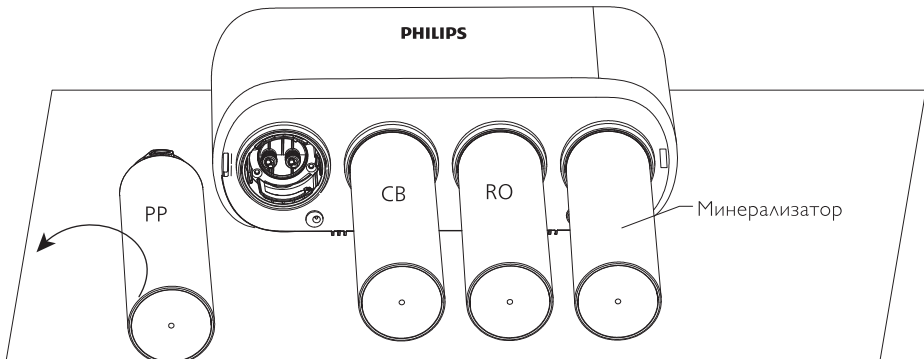
## 3. Замена фильтрующего картриджа

a. Выключите трехходовой шаровый кран и шаровой кран резервуара для воды.

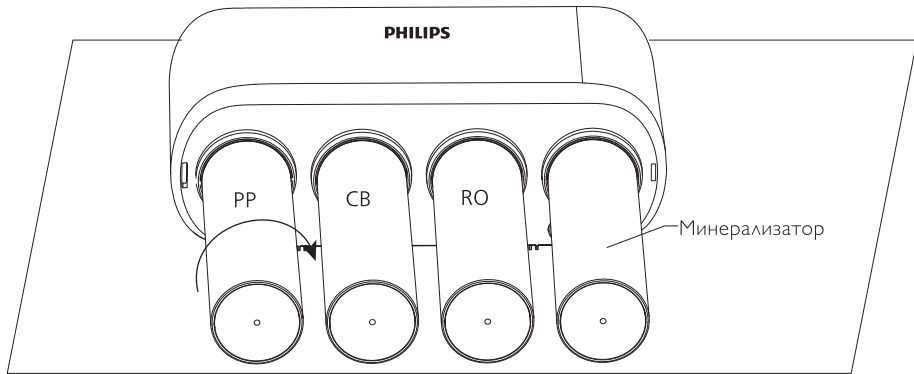


b. Откройте смеситель, чтобы сбросить давление

c. Поверните фильтр, который необходимо заменить, против часовой стрелки и вытащите его.



- d. Снимите упаковку с нового фильтра, вставьте картридж в систему и плотно закрутите по часовой стрелке.



- e. Включите трехходовой шаровый кран и смеситель. Сливайте воду в течение 1,5 часов, чтобы промыть новые фильтры.
- f. Закройте смеситель и включите шаровый кран резервуара для воды, чтобы заполнить резервуар для воды. После этого система будет готова к использованию.

## VII. Меры предосторожности

### 1. Предупреждение

- Это НЕ очиститель воды. В качестве источника воды всегда используйте муниципальную водопроводную воду. Не используйте воду, небезопасную с микробиологической точки зрения, или воду неизвестного качества без надлежащей дезинфекции до или после системы.
- Эта система не предназначена для использования лицами (включая детей) с ограниченными физическими, сенсорными или умственными способностями или не обладающим достаточными знаниями и опытом, если только они не находятся под присмотром или не были проинструктированы относительно использования устройства лицом, ответственным за их безопасность. Следите за детьми, чтобы они не играли с системой.
- Обращайтесь с системой бережно и осторожно. Не пытайтесь самостоятельно модифицировать или ремонтировать систему, иначе гарантия станет недействительной.
- Это устройство предназначено только для домашнего использования.

- Температура воды на входе в систему должна быть в пределах 5-38 °С . Если температура воды на входе превысит 38 °С , фильтр может повредиться и выйти из строя. Если температура воды на входе будет ниже 5 °С , это может вызвать замерзание и разрушение частей системы, что приведет к протечке воды.
- Не меняйте порядок установки фильтрующих картриджей, чтобы не повлиять на работу фильтра в системе.
- Если система неисправна или бракована, немедленно прекратите ее использование. Закройте впускной водяной клапан и откройте кран, чтобы опорожнить систему. К случаям неисправностей относятся:
  - Протечка
  - Изделие треснуто или повреждено
  - Слышен необычный звук
  - Прибор не работаетНемедленно обратитесь в службу сервисного обслуживания клиентов для проверки.
- Если система не используется в течение длительного периода, отключите подачу воды и откройте кран, чтобы сбросить внутреннее давление и избежать повреждения системы.

## VIII. Выявление неисправностей

Проблема	Возможная причина	Решение
Есть протечка.	Компоненты повреждены.	Выключите трехходовой шаровой кран и обратитесь в службу поддержки потребителей.
	Трубы или фильтры неправильно подсоединены.	Проверьте, установлены ли фильтры на место и плотно ли прикручены трубы.
Из смесителя не течет вода.	Клапан холодной воды или трехходовой шаровой кран не открыт.	Откройте клапан или кран и проверьте снова.
Скорость потока снижается.	Трубы сильно перекручены или изогнуты.	Проверьте все водопроводные трубы, включая впускную водопроводную трубу, сливную трубу, трубу чистой воды и трубу резервуара для воды, чтобы убедиться, что вода может беспрепятственно проходить по трубам.
	Трехходовой шаровой кран открыт не полностью.	Убедитесь, что трехходовой шаровой кран полностью открыт.
	Засорился фильтр.	Замените фильтр на новый или обратитесь в службу поддержки потребителей.
	Давление воды на входе низкое.	Подождите, пока давление воды на входе не стабилизируется, или установите усилитель давления перед системой, если давление воды на входе постоянно ниже 0,3 МПа.
В слив не течет вода.	Перекручена сливная труба или поврежден фильтр обратного осмоса.	Замените сливную трубу или фильтр обратного осмоса. При необходимости обратитесь в службу поддержки потребителей.
Плохое качество воды на выходе.	Срок службы фильтра подошел к концу.	Замените фильтр.
	Система некоторое время не использовалась.	Изучите инструкцию по текущему техническому обслуживанию в главе VI.

<p>Плохое качество воды на выходе.</p>	<p>Плохое качество воды на входе.</p>	<p>В качестве источника воды всегда используйте муниципальную водопроводную воду. Не используйте воду, небезопасную с микробиологической точки зрения или воду неизвестного качества без надлежащей дезинфекции до или после системы. Если качество воды на входе постоянно плохое, установите перед системой фильтр предварительной очистки.</p>
--	---------------------------------------	---

## IX. Гарантия и техническое обслуживание

Если вам нужна информация или если у вас возникли какие-либо проблемы, посетите сайт [www.philips.com](http://www.philips.com) или обратитесь в центр сервисного обслуживания клиентов в вашей стране. Если в вашей стране нет центра сервисного обслуживания клиентов, обратитесь к местному дилеру. В течение двух лет с даты покупки вы получите бесплатное гарантийное обслуживание любого повреждения, вызванного производственным процессом, или компонентов при нормальном режиме эксплуатации, подтвержденным нашей службой технического обслуживания. Гарантийное обслуживание не распространяется на часто заменяемые расходные материалы, вспомогательные устройства, транспортные расходы и доставку «от двери до двери». Пожалуйста, предъявите доказательство покупки ремонтному персоналу во время технического обслуживания.

## Х. Упаковочный лист

Системный коллектор	1X
PP-фильтр	1X
СВ-фильтр	1X
Фильтр обратного осмоса	1X
Минерализатор	1X
Резервуар для воды	1X
Шаровой кран резервуара для воды	1X
Трехходовой шаровой кран	1X
1/4" РЕ шнур	1X
Винт	2X
Установочный винт	2X
Смеситель и аксессуары	1X
Руководство пользователя	1X
Зажим	7X
Сливной патрубок	1X
Фитинг быстрого соединения	1X
1/4" Кольцо (запасная часть)	2X



**Specifications are subject to change without notice**  
**[www.philips.com/water](http://www.philips.com/water)**

© 2022 AquaShield

All rights reserved.

The Philips trademark and the Philips Shield Emblem are registered trademarks of Koninklijke Philips N.V. used under license.

This product has been manufactured by and is sold under the responsibility of Hong Kong AquaShield Health Technology Company Limited and Hong Kong AquaShield Health Technology Company Limited is the warrantor in relation to this product.

Rev A JAN 22

